

CHINA HEADQUARTER OFFICE

Liaoning Walec Group Co.,Ltd

Add :No 523 Jingu AC Building ,
Beiye Road , Shenyang , China

Tel :+86 24 67883961/62/63

MP :+86 13889109709

Email:info@walecelevator.com
service@walecelevator.com
sales@walecelevator.com

www.walecelevator.com
www.walecgroup.com

SOUTH AFRICA BRANCH

Walech Pty Ltd

Add :339 Monty Naicker Rd ,
Durban Central , Durban

Tel :+27 313 049 836

MP :+86 18302458666
+27 722 082 905

Email:nancy@walecelevator.com

KENYA BRANCH

Walec Group Kenya Limited

Add :South River , Kindaruma Road ,
Nairobi , Kenya

Tel :+254 787 535 777

MP :+86 13804020046

Email:sunny@walecelevator.com

AUSTRALIA BRANCH

Walec Australia Pty Ltd

Add :210/113-117 Burwood Road ,
Burwood NSW 2134 , Australia

Tel :+61 415 218 322

Email :helen@walecelevator.com



WALEC Escalator



World's most competitive manufacturing base escalator

Currently it has formed a production capacity of 2 billion yuan Massive escalator and accessories manufacturing enterprise.



Our escalator&passenger conveyor factory located in FOHO New&Hi-Tech Industrial Development Zone, Wujiang District, Suzhou City, situated at the juncture of the three economically developed cities Jiangsu, Zhejiang and Shanghai, where has abundant resources and convenient transportation.

The factory has gained ISO9001 international quality system certification, OTIS Q+ quality certification, ISO14000 environmental management system certification and OHSAS 18001 occupational health and safety management system certification, and has achieved CE certification(TUV). It confirms to the world's famous elevator manufacturing standards.

With excellent quality, stable capacity and very competitive and premium services, the factory established a long-term strategic cooperation partnership with many famous brands, such as the KONE, Thyssenkrupp, FUJITEC, CANNY, OTIS, and HYUNDAI. The whole staircase ODM and components have a good response and win the high praise of customers.

Looking to the future, the factory will continue to have a keen insight into trends, optimize the manufacturing process constantly, improve the production system, provide quality products and services for all major brands with the world-class manufacturing standards, and strive to become the world most competitive accessories manufacturing base.



EUROPEAN INSPECTION AND CERTIFICATION COMPANY S.A.

CERTIFICATE OF CONFORMITY

FULLNESS EXAMINATION OF TECHNICAL FILE

Certificate No. : CN.CE.1337-07/14
 Issue Date : 24/06/2014
 Expiry Date : 23/06/2019
 Applicant : SUZHOU XINDA ESCALATOR ACCESSORIES CO., LTD.
 (Name & Address) NO.788 KANGLI ROAD, FOHO NEW & HI-TECH INDUSTRIAL
 DEVELOPMENT ZONE, SUZHOU CITY, JIANGSU PROVINCE, CHINA
 Manufacturer : Same as applicant
 (Name & Address)
 TCF No. : VC-CO-20140529
 Product Description : ESCALATOR
 Model(s) : XDF30 Series, XDF35 Series
 (Technical Specifications in Annex I)
 Directive(s) : Machinery Directive 2006/42/EC
 Standard(s) : EN 115-1:2008+A1:2010, EN 60204-1:2006/AC:2010

This is to certify that, upon the relevant application of SUZHOU XINDA ESCALATOR ACCESSORIES Co., Ltd., EUROCERT as Third Party Authority has reviewed the Technical Construction File of the described product which found to fulfill the basic health and safety prerequisites of above mentioned Directive(s).

Note:

- The manufacturer should issue a Declaration of Conformity according to the basic requirements of the applicable and relevant directives.
- The CE marking can be affixed on the above mentioned product with the manufacturer's responsibility, if all relevant and applicable directives are complied with.
- All modifications to the Technical File should be first submitted to the Third Party Inspection Authority to ensure further validity of this attestation.
- This certificate is valid only for the product and configuration described and in conjunction with the technical data detailed above.



Third Party Authority Stamp

On Behalf of EUROCERT

George N. Sifonios
 Director of Development

89, CHLOIS STR. & LIKOVRISEOS, 144 52 METAMORFOSI, ATHENS, GREECE
 Tel.: ++30 210 62.52.495, 30 210 62.53.927 - Fax: ++30 210 62.03.018
 Internet site: www.eurocert.gr - e-mail: eurocert@otenet.gr



EUROPEAN INSPECTION AND CERTIFICATION COMPANY S.A.

CERTIFICATE OF CONFORMITY

FULLNESS EXAMINATION OF TECHNICAL FILE

Certificate No. : CN.CE.1338-06/14
 Issue Date : 24/06/2014
 Expiry Date : 23/06/2019
 Applicant : SUZHOU XINDA ESCALATOR ACCESSORIES CO., LTD.
 (Name & Address) NO.788 KANGLI ROAD, FOHO NEW & HI-TECH INDUSTRIAL
 DEVELOPMENT ZONE, SUZHOU CITY, JIANGSU PROVINCE, CHINA
 Manufacturer : Same as applicant
 (Name & Address)
 TCF No. : VC-CO-20140530
 Product Description : MOVING WALKS
 Model(s) : XDR Series, XDRP Series
 (Technical Specifications in Annex I)
 Directive(s) : Machinery Directive 2006/42/EC
 Standard(s) : EN 115-1:2008+A1:2010, EN 60204-1:2006/AC:2010

This is to certify that, upon the relevant application of SUZHOU XINDA ESCALATOR ACCESSORIES Co., Ltd., EUROCERT as Third Party Authority has reviewed the Technical Construction File of the described product which found to fulfill the basic health and safety prerequisites of above mentioned Directive(s).

Note:

- The manufacturer should issue a Declaration of Conformity according to the basic requirements of the applicable and relevant directives.
- The CE marking can be affixed on the above mentioned product with the manufacturer's responsibility, if all relevant and applicable directives are complied with.
- All modifications to the Technical File should be first submitted to the Third Party Inspection Authority to ensure further validity of this attestation.
- This certificate is valid only for the product and configuration described and in conjunction with the technical data detailed above.



Third Party Authority Stamp

On Behalf of EUROCERT

George N. Sifonios
 Director of Development

89, CHLOIS STR. & LIKOVRISEOS, 144 52 METAMORFOSI, ATHENS, GREECE
 Tel.: ++30 210 62.52.495, 30 210 62.53.927 - Fax: ++30 210 62.03.018
 Internet site: www.eurocert.gr - e-mail: eurocert@otenet.gr





Technical performance advantages, the main component configuration

	Model	Angle	Rise H	Location	Horizontal Step Number	Running Speed	Main parts Safety parameter	Tru88 Deflection	Step Roller	Note				
Escalator	XFT-K	35°	H≤6m	Indoor	2	0.5m/s	>5	<1/750	φ70mm	Economic Type I				
		30°			2					Economic Type II				
	XFT-JK	35°	H≤4.5m	Indoor	2									
		30°	H≤4m		2									
	XDM-K	35°	H≤6m	Indoor/Outdoor	2					0.5m/s 0.65m/s				Standard
		30°			2									
XDM-M	30°	H≤7m	Indoor/Outdoor	3										
XCM-K	35°	H≤6m	Indoor/Outdoor	2					Economic Type					
	30°			2										
XCM-M	30°	H≤7m	Indoor/Outdoor	3										
Moving Walk	XDRM	12°	H≤7m	Indoor		0.5m/s 0.65m/s	>5	<1/750		133 Pallet				
	XDRH	12°	H≤7m	Indoor					266 Pallet					
	XDJ	12°	H≤7m	Indoor					266 Pallet					
	XDRS	12°	H≤7m	Indoor					266 Pallet					
	XDRP-M	0°	H≤100m	Indoor					133 Pallet					
	XDRP-H	0°	H≤100m	Indoor					266 Pallet					

Handrails, baseboards, comb, cascade, leading edge panels and other exterior configuration list of different models

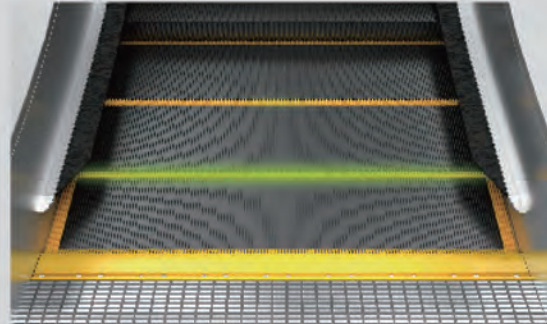
	Model	Handrail Types	Comb Plate Types	Step Pedals	Landing Plate	Outlet&Inlet face Plate	Balustrade Panel
Escalator	XFT-K	C Types	Aluminum alloy comb/Plastic comb	Stainless steel/Aluminum	Stainless steel stamping/etching pattern can be customized	Stainless steel /9300 type	B-10 Tempered glass
	XFT-JK						
	XDM-K						
	XDM-M						
	XCM-K						
	XCM-M						
Moving Walk	XDRM						
	XDRH						
	XDRJ						
	XDRS						
	XDRP-M						
	XDRP-H						

Escalator Safety Device



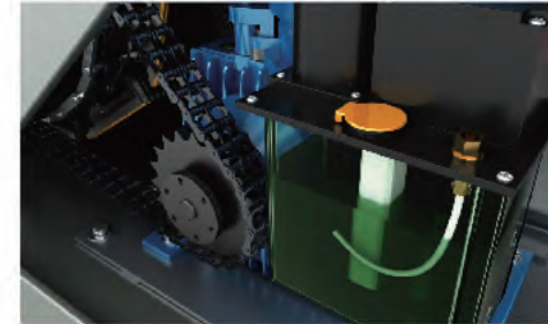
Handrail inlet protection device

If a foreign matter is stuck between the rubber head and handrail, the safety switch behind the rubber entrance will work to stop the escalator.



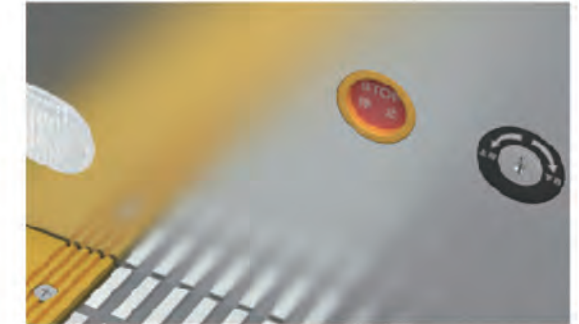
Demarcation Lamp

Green fluorescent light is installed under the upper and lower step pedals. When two adjacent steps do not run at the same time, green fluorescent light will be shed over the tooth mouth of the step, to help passengers identify the horizontal section of step turnover and improve the riding safety.



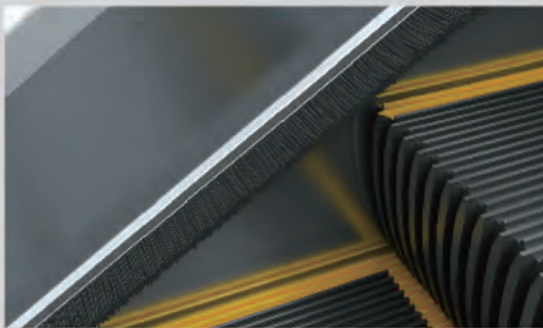
Automatic Oiling&Lubrication System

PLC-controlled automatic oiling and lubrication system is able to give ideal automatic oiling to the transmission chain, thus extending the life of the transmission mechanism.



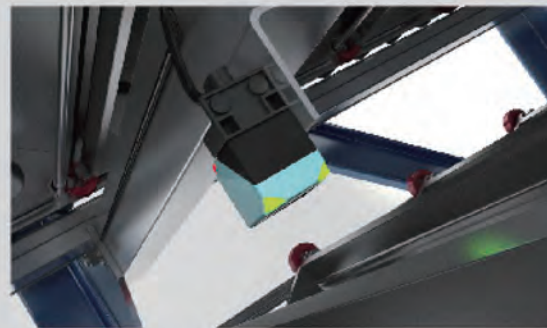
Emergency stop button

In case of emergency malfunction of the escalator, press the emergency stop button and immediately stop the escalator to avoid more accidents.



Skirt Panel Brush

Prevent passengers' clothing from being caught by the apron board and the step side gap, in order to protect the safety of passengers.



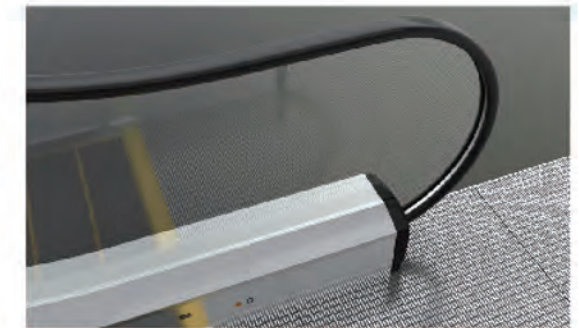
Protection device for stair deficiency

Sensor is installed in rotation of stairs of escalator; when there is deficiency of stairs, the escalator will stop operation.



Handrail Color

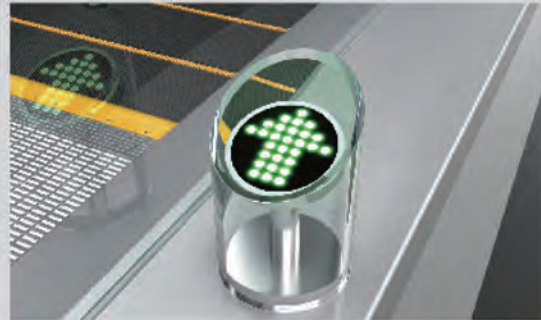
Black



Balustrade Color

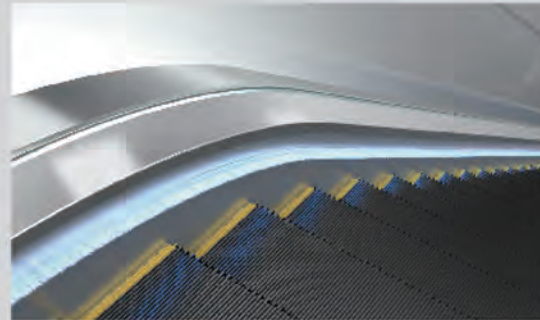
Transparent

Escalator Safety Device



Running Direction Indicator

Running direction and running-forbidden display identification is installed in the handrail entrance to show the running or running-forbidden instruction to ensure the safety of passengers.



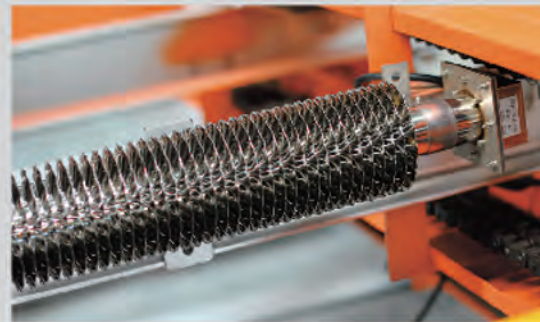
Skirting Panel Lighting

Apron lighting not only has beautiful light, but also stresses the escalator's visibility in the entire building, so that passengers will ride more comfortably and securely.



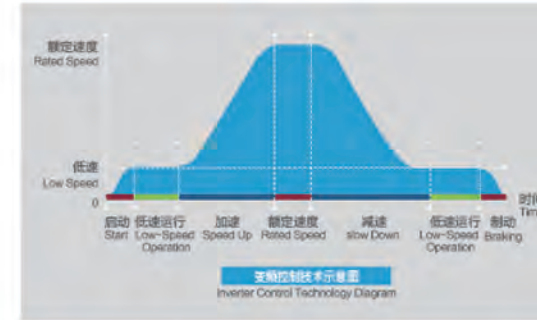
Oil-Water Separator

The oil-water separator is specially designed for outdoor escalators. The rainwater is discharged through the separator and the oil is cleaned regularly to reduce oil and protect the environment.



Heating device

Use escalator under circumstance with extremely low temperature outdoor; install heating device in upper, middle and bottom machine room.



Frequency control technology

Newly designed inverters guarantee a steady speed adjustment in the standby mode and further reduce the energy consumption required for low speed operation. Accordingly, more energy can be saved regardless of different passenger flows.



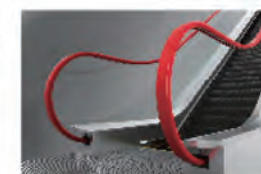
Micro-Computer Board Technology

Apply micro computer technology board technology. The fault detection function is, thus greatly improve the safety performance.

Handrail Color



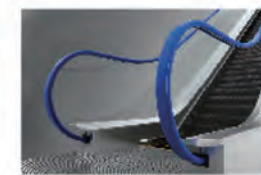
Gray



Red

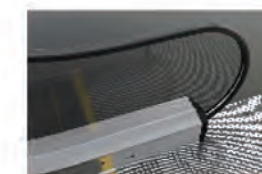


Orange

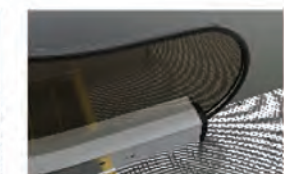


Blue

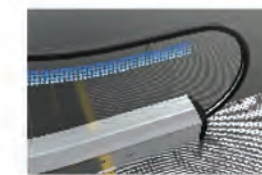
Balustrade Color



Gray

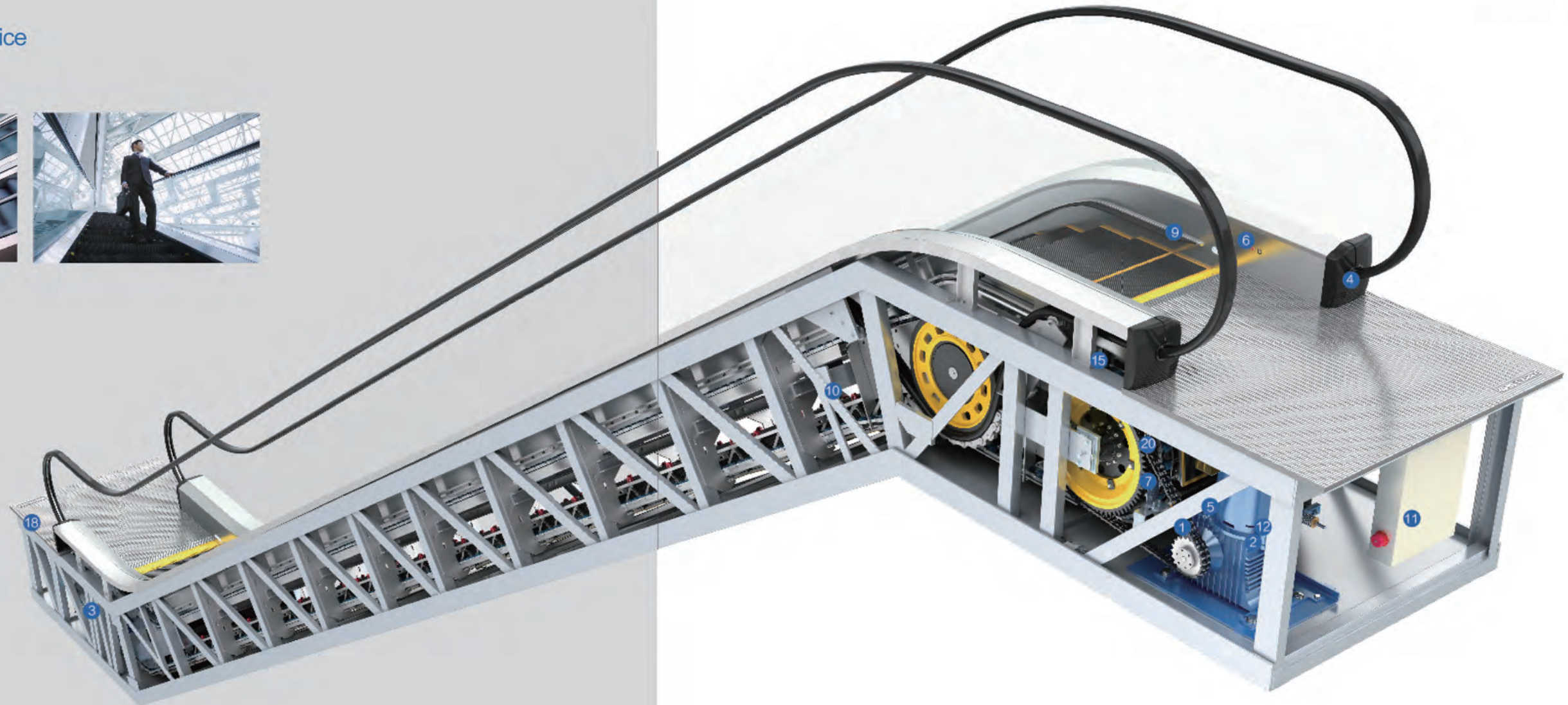
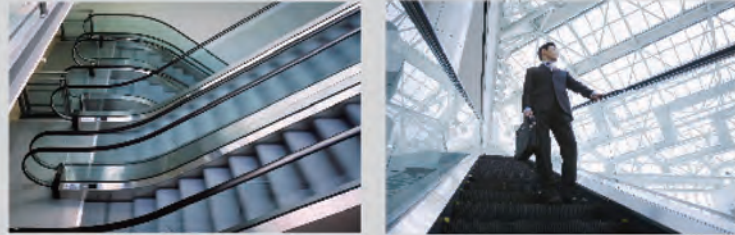


Bronze



Transparent Silk Screen

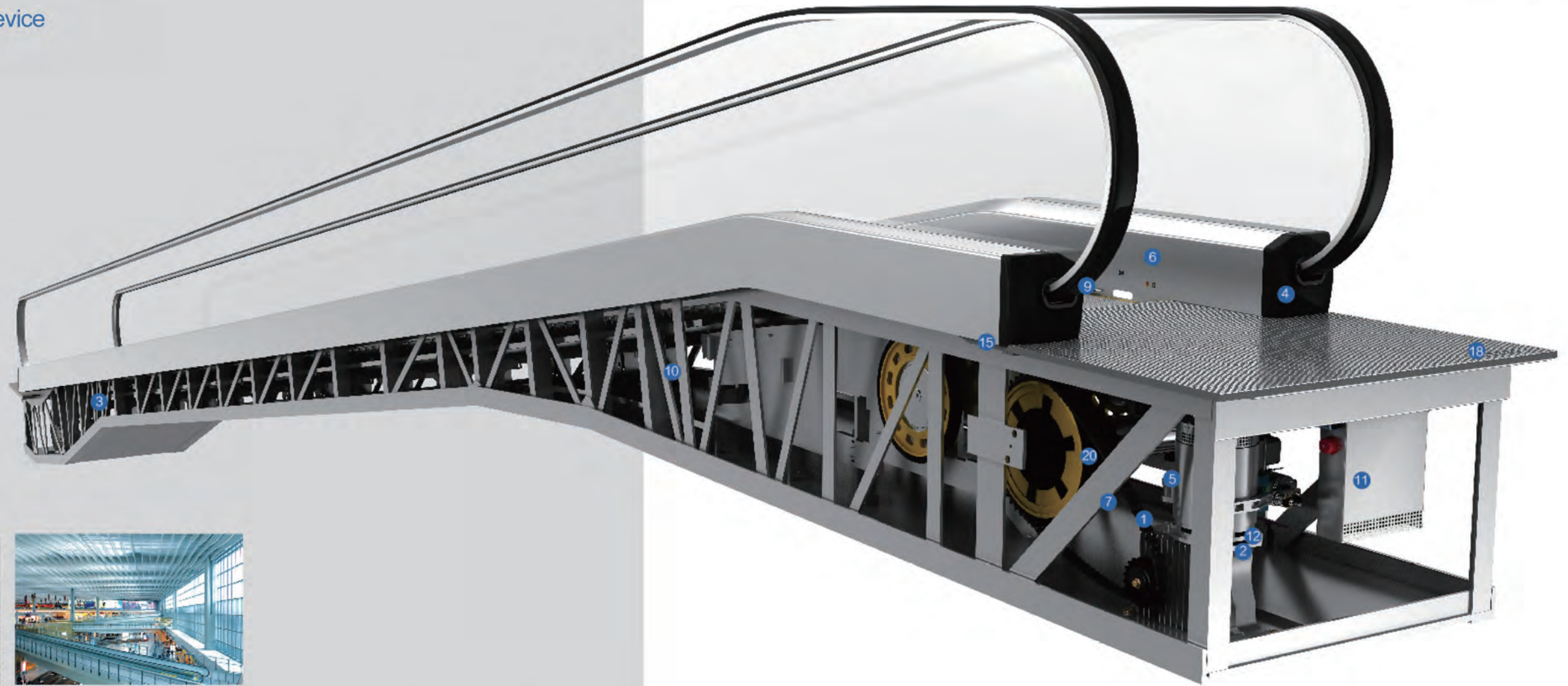
Escalator Safety Device



Standard Safety Device	Configuration
The driving strand break protection device	S
Wrong phase protection	S
Cascade strand break protection device	S
Handrail entrance protector	S
Operating brake	S
The emergency stop button	S
Non -operative reversal protection	S
Comb protection device	S
Apron protection device	S
Cascade subsidence protection device	S

Standard Safety Device	Configuration
Motor overload protection;	S
Overspeed protection devices;	S
The safety circuit grounding protection;	S
Fault display;	S
Missing step protection device;	S
Handrail speed protection;	S
Cascade speed monitoring device;	S
Access panel monitoring devices;	S
The water level detection means(outdoor);	O
The additional brake(h≥6m);	O

Moving Walk Safety Device



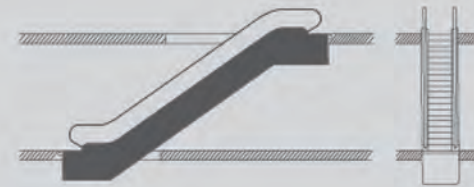
Standard Safety Device	Configuration
The driving strand break protection device	S
Wrong phase protection	S
Cascade strand break protection device	S
Handrail entrance protector	S
Operating brake	S
The emergency stop button	S
Non -operative reversal protection	S
Comb protection device	S
Apron protection device	S
Cascade subsidence protection device	S

Standard Safety Device	Configuration
Motor overload protection;	S
Overspeed protection devices;	S
The safety circuit grounding protection;	S
Fault display;	S
Missing step protection device;	S
Handrail speed protection;	S
Cascade speed monitoring device;	S
Access panel monitoring devices;	S
The water level detection means(outdoor);	O
The additional brake(h≥6m);	O

Escalators Arrangement Schme

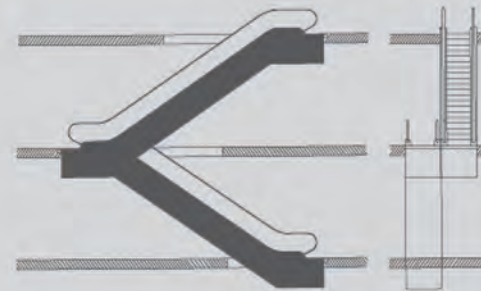
Single unit

The single unit used to link two levels. It is suitable for buildings with passenger traffic flowing mainly in one direction. Flexible adjustment to traffic flow (e.g. up in the morning and down in the evening) is possible.



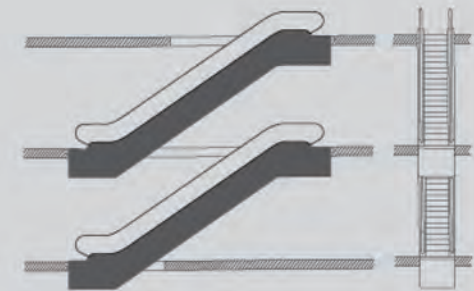
Continuous arrangement(one-way traffic)

This arrangement is used mainly in smaller department stores to link three sales levels. It requires more space than the interrupted arrangement.



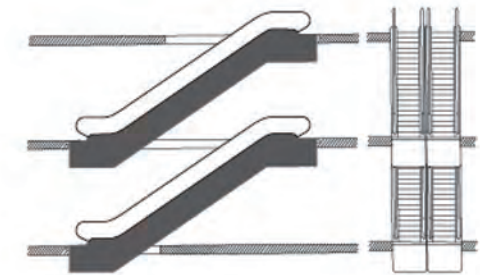
Interrupted arrangement(one-way traffic)

This arrangement is somewhat inconvenient for users, but advantageous for department store owners, since the short detour to the next unit and the spatial separation between up and down travel is ideal for leading customers past strategically placed advertising displays.



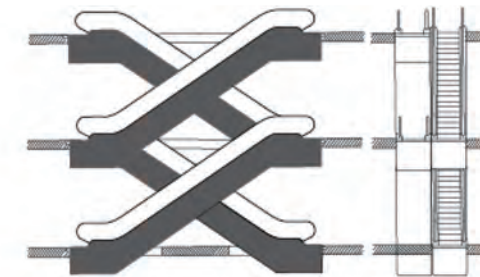
Parallel, interrupted arrangement(two-way traffic)

This arrangement is used mainly in department stores and public transport buildings with a heavy traffic volume. When there are three or more escalators, it should be possible to reverse the travelling direction according to the traffic flow. This arrangement is economical, since no inner lateral claddings are required.



Crisscross, continuous arrangement(two-way traffic)

This arrangement is used mainly in major department stores, public buildings and public transport buildings where transport times between several levels should be kept to a minimum.



Step width



Step width 600mm



Step width 800mm

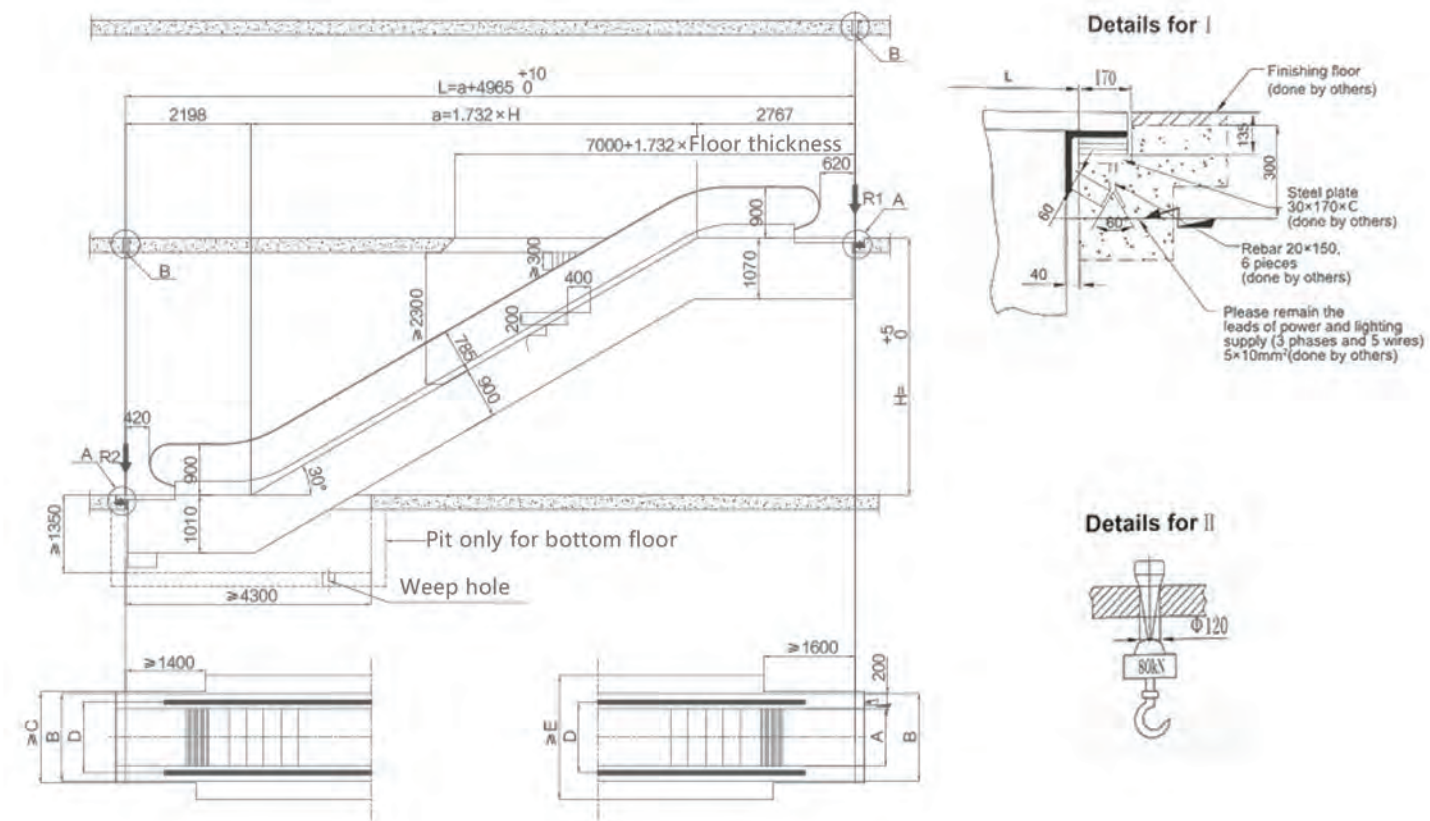
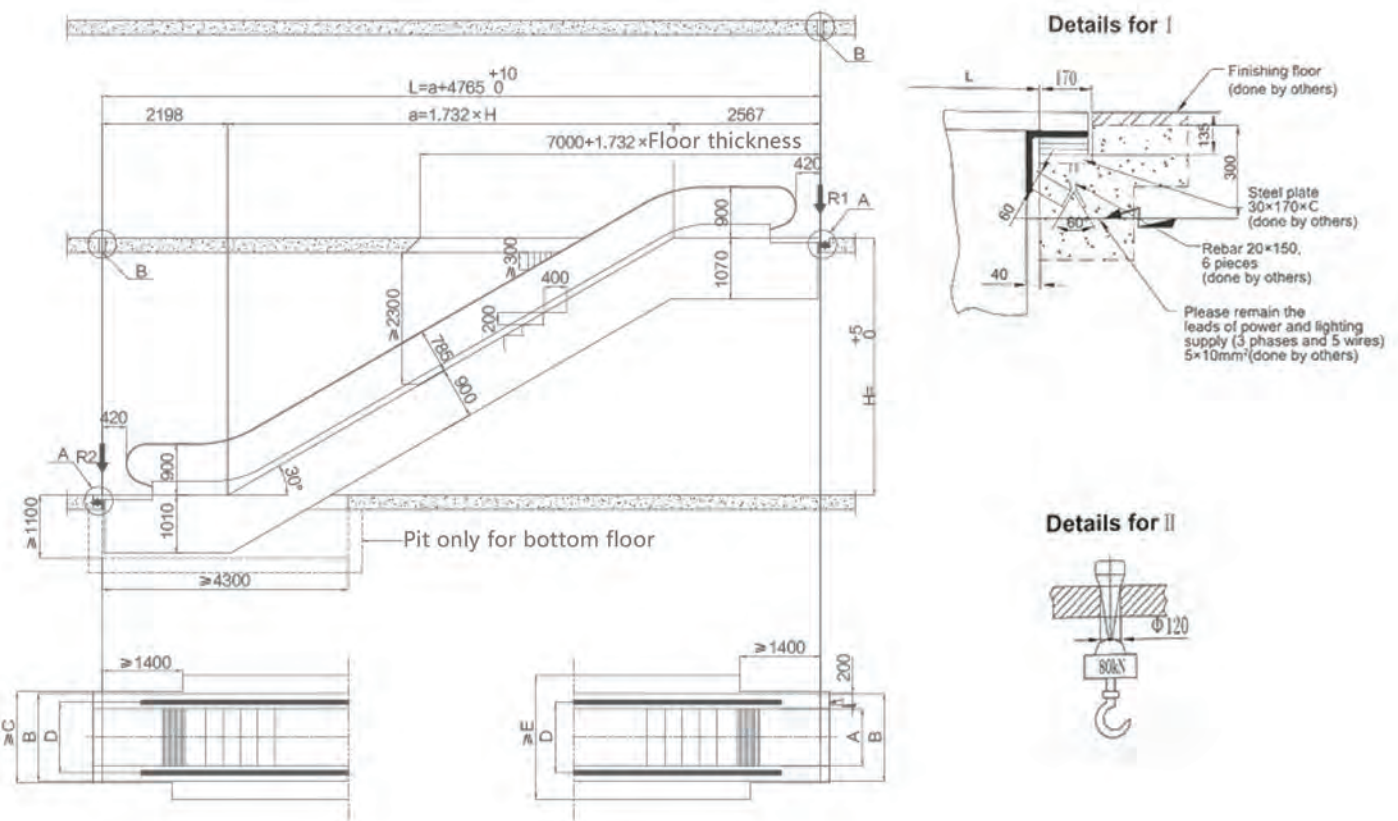


Step width 1000mm

Construction Parameters

XDM30° Single arrangement K escalator construction sketch(indoor)

XDM30° Single arrangement K escalator construction sketch(outdoor)



Reacting force and power

Standard specification and dimension

Step Width	600	800	1000	Note
R1(KN)	3.5 x L+15.5	4x L+17	4.5xL+18.5	Unit of L: m
R2(KN)	3.5 x L+10	4x L+11	4.5xL+11.5	
Rise	3000 3500 4000 4500	5000 5500 6000		
Motor Power	1000	5.5KW	8KW	11KW
	800	5.5KW	8KW	
	600	5.5KW		

Model No.	XDM-600K	XDM-800K	XDM-1000K
A	600	800	1000
B	1140	1340	1540
C	1200	1400	1600
D	838	1038	1238
E	1778	1978	2178

NOTE		Specification (Single indoor 1500)	
1.The drawing applies for the installation of single moving walk not higher than 6m rise.		Model No.	XDM/XCM/XFT35-600K
2.While selecting 600mm wide step, the upper truss must extend 417mm more; when the escalator with 80k VVVF, the upper truss should be extend 300mm more.			XDM/XCM/XFT35-800K
3. The sales should provide the drawing in 4 copies, 2 copies should be returned back to Technical Dept after client's signing.		Speed	0.5WS
4. The dimension unit is mm but maybe some dimension will be changed without pre-notice any more.		Rise	H= mm
		Angle	30 °
		Reaction Force R1	KN
		Reaction Force R2	KN
		Weight	KN
		Power Motive	3PH AC 380V 50HZ
		Power Lighting	1PH AC 220V 50HZ

Reacting force and power

Standard specification and dimension

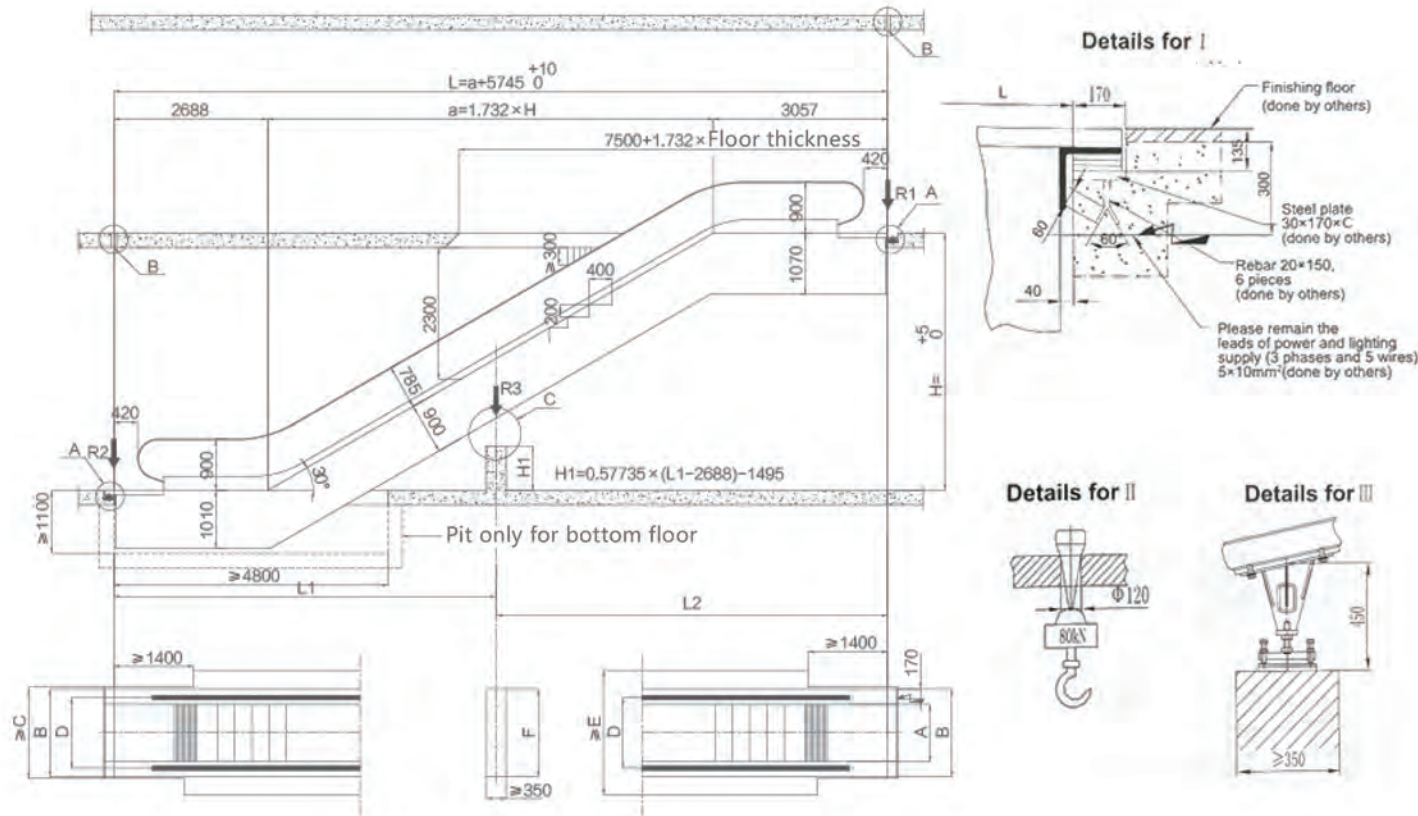
Step Width	600	800	1000	Note
R1(KN)	3.5 x L+15.5	4x L+17	4.5xL+18.5	Unit of L: m
R2(KN)	3.5 x L+10	4x L+11	4.5xL+11.5	
Rise	3000 3500 4000 4500	5000 5500 6000		
Motor Power	1000	5.5KW	8KW	11KW
	800	5.5KW	8KW	
	600	5.5KW		

Model No.	XDM-600K	XDM-800K	XDM-1000K
A	600	800	1000
B	1140	1340	1540
C	1200	1400	1600
D	838	1038	1238
E	1778	1978	2178

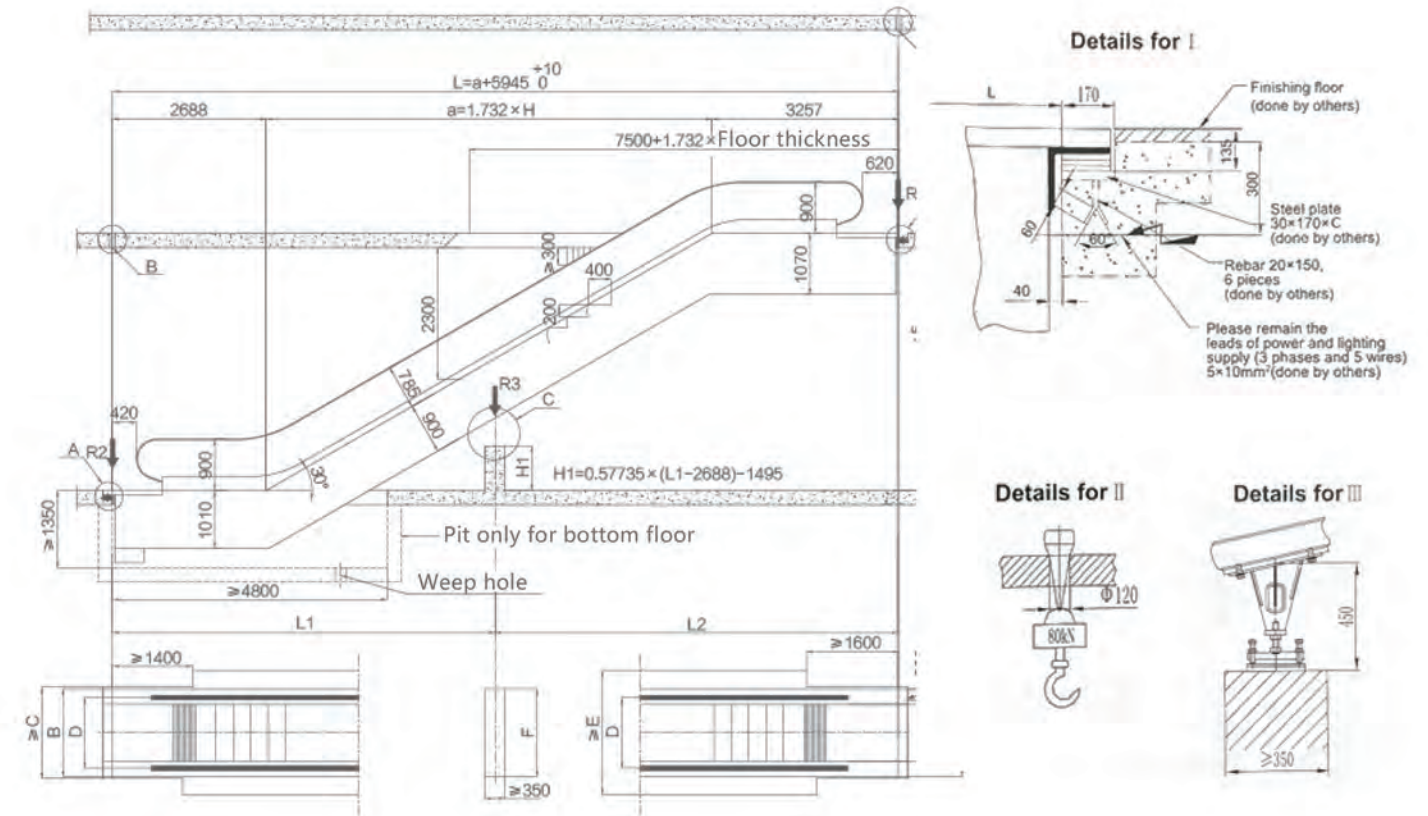
NOTE		Specification (Single outdoor 1500)	
1.The drawing applies for the installation of single moving walk not higher than 6m rise.		Model No.	XDM/XCM/XFT35-600K
2.While selecting 600mm wide step, the upper truss must extend 417mm more; when the escalator with 80k VVVF, the upper truss should be extend 300mm more.			XDM/XCM/XFT35-800K
3. The sales should provide the drawing in 4 copies, 2 copies should be returned back to Technical Dept after client's signing.		Speed	0.5WS
4. The dimension unit is mm but maybe some dimension will be changed without pre-notice any more.		Rise	H= mm
		Angle	30 °
		Reaction Force R1	KN
		Reaction Force R2	KN
		Weight	KN
		Power Motive	3PH AC 380V 50HZ
		Power Lighting	1PH AC 220V 50HZ

Construction Parameters

XDM30° Single arrangement M escalator construction sketch(indoor)



XDM30° Single arrangement M escalator construction sketch(outdoor)



Reacting force

Step Width	600	800	1000
R1(KN)	4.1 x L2+15.5	4.5x L2+16.1	5xL2+17.5
R2(KN)	4.1 x L1+7.8	4.5x L1+7.8	5xL1+8.5
R3(KN)	4.25x L+9.5	4.5x L+10.5	5xL+11.5
Note	Unit of L1,L2,L3 is m, L1 & L2 ≤ 15m		

Standard specification and dimension

Model No.	XDM-600M	XDM-800M	XDM-1000M
A	600	800	1000
B	1140	1340	1540
C	1200	1400	1600
D	838	1038	1238
E	1778	1978	2178
F	1140	1340	1540

NOTE		Specification (Single indoor 1500)	
1.The drawing applies for the installation of single moving walk not higher than 6m rise.		Model No.	XDMXCM-600M
2. While selecting 600mm wide step, the upper truss must extend 417mm more; when the escalator with 80k VVVF, the upper truss should be extend 300mm more.		Model No.	XDMXCM-800M
3. The sales should provide the drawing in 4 copies, 2 copies should be returned back to Technical Dept after client's signing.		Model No.	XDMXCM-1000M
4. The dimension unit is mm but maybe some dimension will be changed without pre-notice any more.		Speed	0.5M/S
		Rise	H= mm
		Angle	30 °
		Reaction Force R1	KN
		Reaction Force R2	KN
		Weight	KN
		Power	Motive 3PH AC 380V 50HZ
			Lighting 1PH AC 220V 50HZ

Reacting force

Step Width	600	800	1000
R1(KN)	4.1 x L2+15.5	4.5x L2+16.1	5xL2+17.5
R2(KN)	4.1 x L1+7.8	4.5x L1+7.8	5xL1+8.5
R3(KN)	4.25x L+9.5	4.5x L+10.5	5xL+11.5
Note	Unit of L1,L2,L3 is m, L1 & L2 ≤ 15m		

Standard specification and dimension

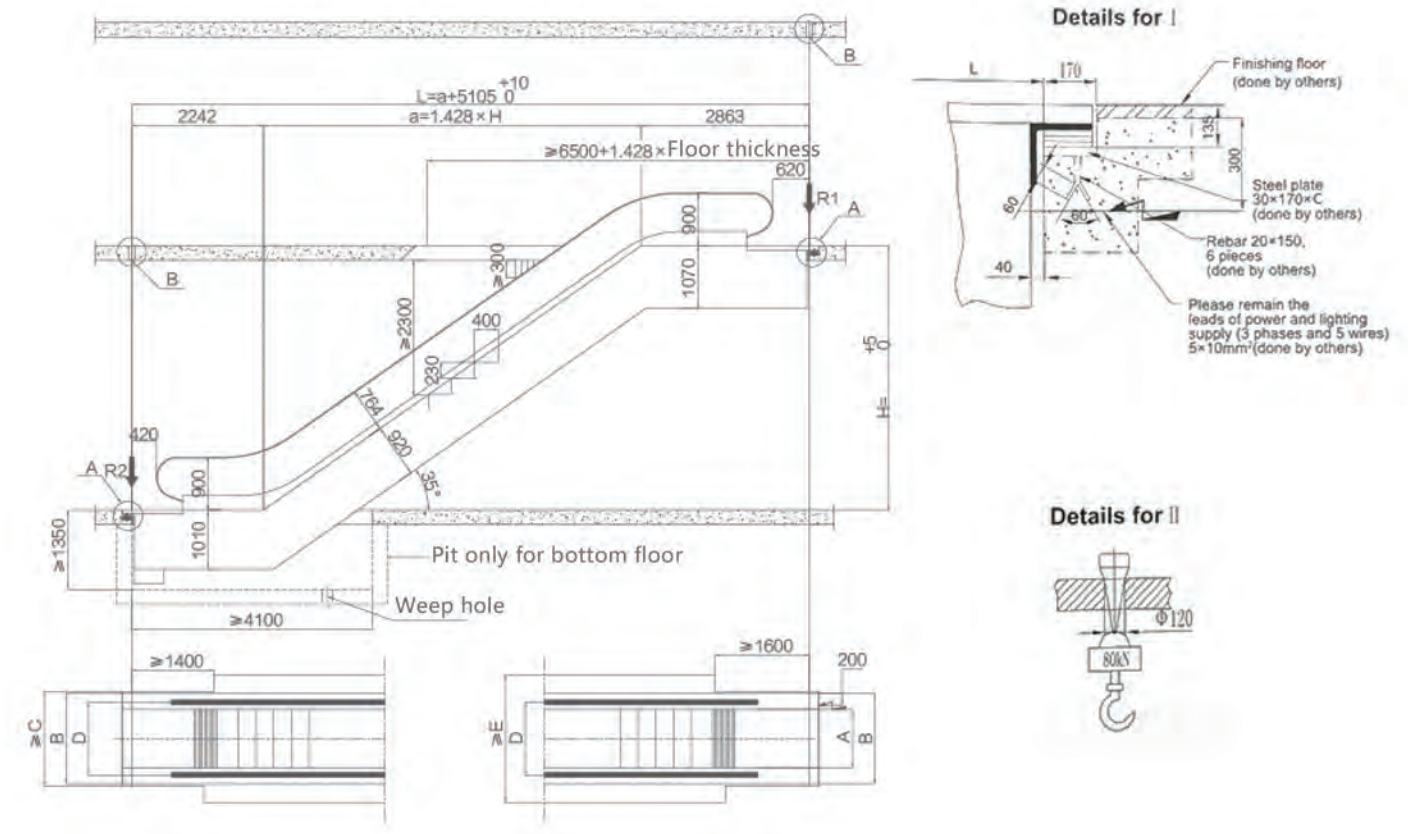
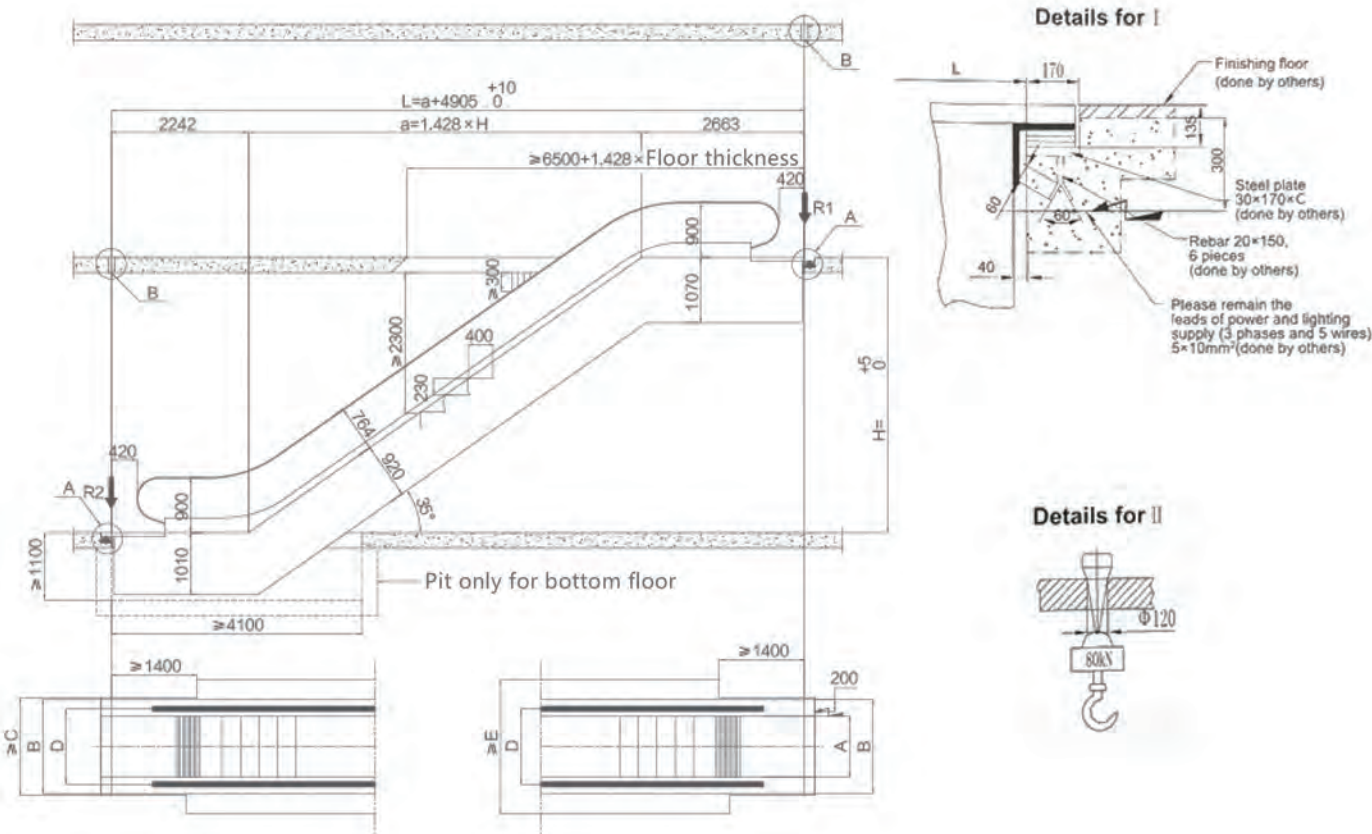
Model No.	XDM-600M	XDM-800M	XDM-1000M
A	600	800	1000
B	1140	1340	1540
C	1200	1400	1600
D	838	1038	1238
E	1778	1978	2178
F	1140	1340	1540

NOTE		Specification (Single outdoor 1500)	
1.The drawing applies for the installation of single moving walk not higher than 6m rise.		Model No.	XDMXCM-600M
2. While selecting 600mm wide step, the upper truss must extend 417mm more; when the escalator with 80k VVVF, the upper truss should be extend 300mm more.		Model No.	XDMXCM-800M
3. The sales should provide the drawing in 4 copies, 2 copies should be returned back to Technical Dept after client's signing.		Model No.	XDMXCM-1000M
4. The dimension unit is mm but maybe some dimension will be changed without pre-notice any more.		Speed	0.5M/S
		Rise	H= mm
		Angle	30 °
		Reaction Force R1	KN
		Reaction Force R2	KN
		Weight	KN
		Power	Motive 3PH AC 380V 50HZ
			Lighting 1PH AC 220V 50HZ

Construction Parameters

XDM35° Single arrangement K escalator construction sketch(indoor)

XDM35° Single arrangement K escalator construction sketch(outdoor)



Reacting force and power

Standard specification and dimension

Step Width	600	800	1000	Note
R1(KN)	3.5 x L+15.5	4xL+17	4.5xL+18.5	Unit of L: m
R2(KN)	3.5 x L+10	4xL+11	4.5xL+11.5	
Rise	3000 3500 4000 4500 5000 5500 6000			
Motor Power	1000	5.5KW	8KW	11KW
	800	5.5KW		8KW
	600	5.5KW		

Model No.	XDM-600K	XDM-800K	XDM-1000K
A	600	800	1000
B	1140	1340	1540
C	1200	1400	1600
D	838	1038	1238
E	1778	1978	2178

NOTE		Specification (Single indoor 1500)	
1. The drawing applies for the installation of single moving walk not higher than 6m rise.		Model No.	XDM/XCM/XFT30-600K
2. While selecting 600mm wide step, the upper truss must extend 417mm more; when the escalator with 80k VVVF, the upper truss should be extend 300mm more.		Model No.	XDM/XCM/XFT30-800K
3. The sales should provide the drawing in 4 copies, 2 copies should be returned back to Technical Dept after client's signing.		Model No.	XDM/XCM/XFT30-1000K
4. The dimension unit is mm but maybe some dimension will be changed without pre-notice any more.		Speed	0.5M/S
		Rise	H= mm
		Angle	35 °
		Reaction Force R1	KN
		Reaction Force R2	KN
		Weight	KN
		Power	Motive 3PH AC 380V 50HZ
			Lighting 1PH AC 220V 50HZ

Reacting force and power

Standard specification and dimension

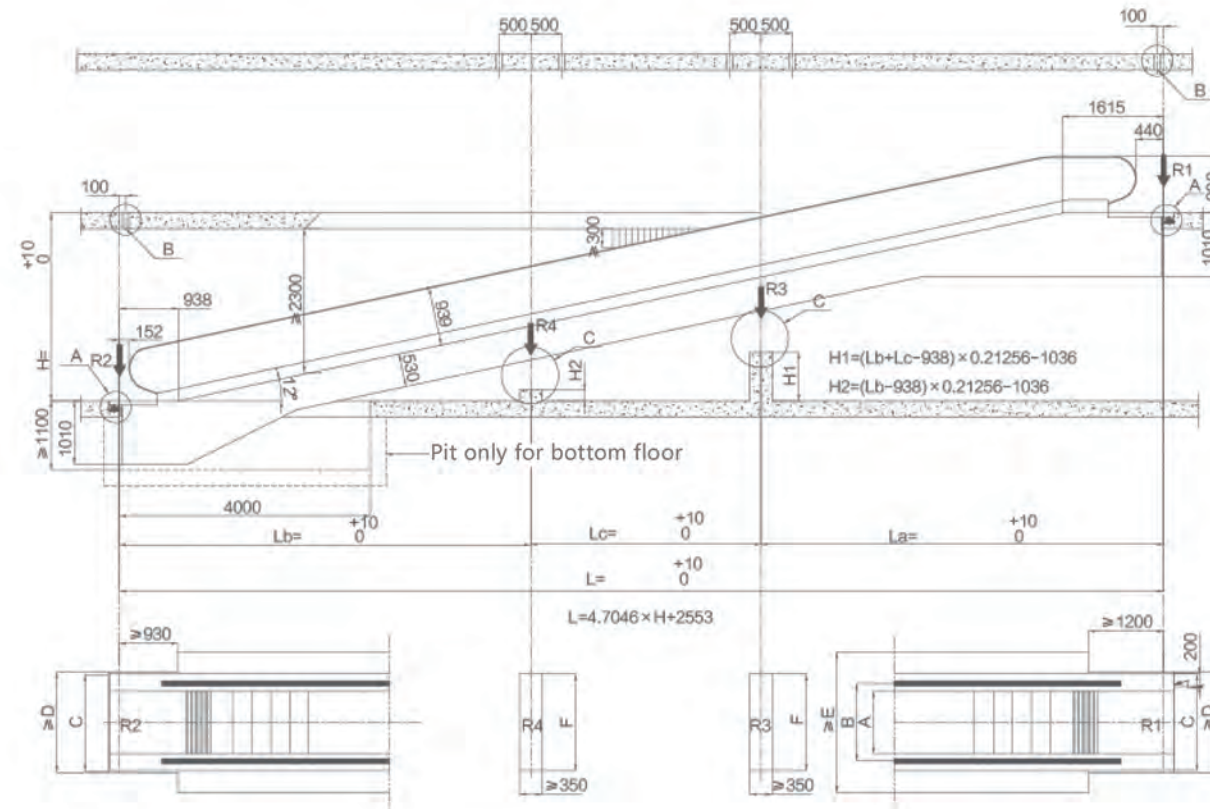
Step Width	600	800	1000	Note
R1(KN)	3.5 x L+15.5	4xL+17	4.5xL+18.5	Unit of L: m
R2(KN)	3.5 x L+10	4xL+11	4.5xL+11.5	
Rise	3000 3500 4000 4500 5000 5500 6000			
Motor Power	1000	5.5KW	8KW	11KW
	800	5.5KW		8KW
	600	5.5KW		

Model No.	XDM-600K	XDM-800K	XDM-1000K
A	600	800	1000
B	1140	1340	1540
C	1200	1400	1600
D	838	1038	1238
E	1778	1978	2178

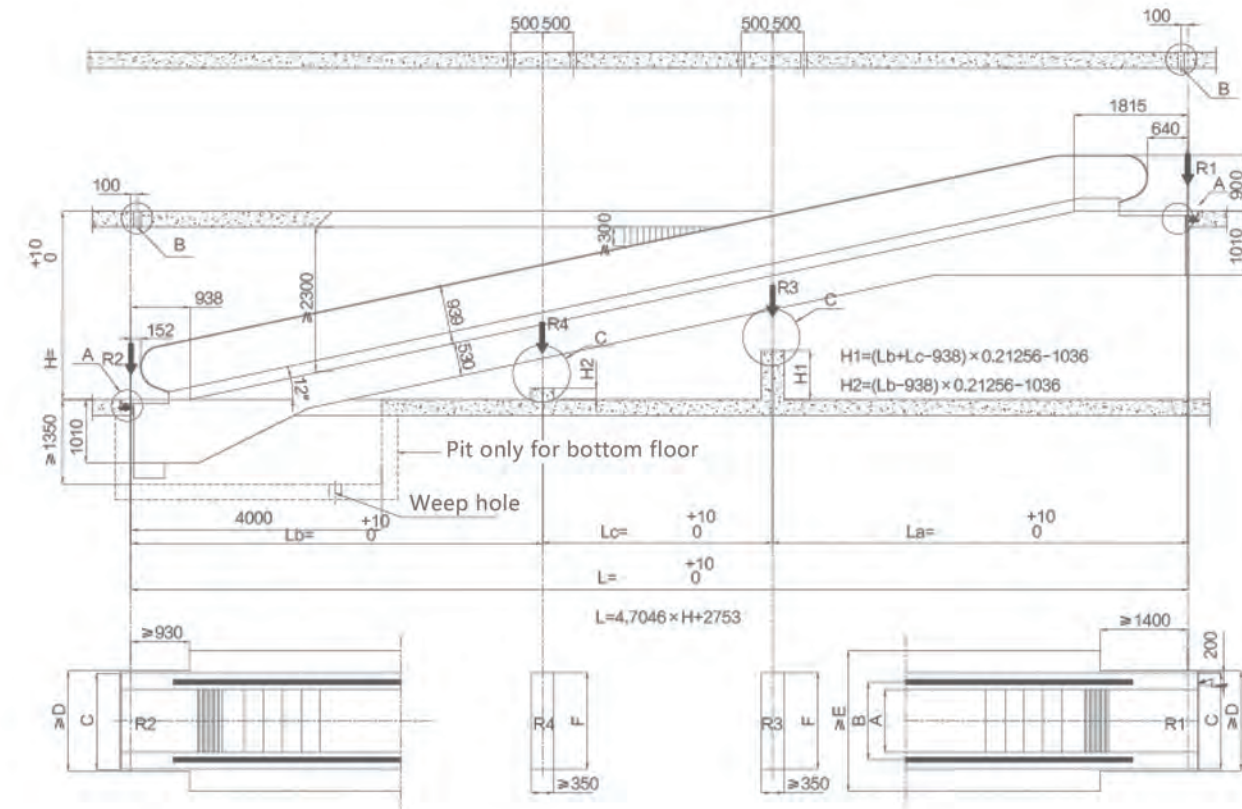
NOTE		Specification (Single outdoor 1500)	
1. The drawing applies for the installation of single moving walk not higher than 6m rise.		Model No.	XDM/XCM/XFT30-600K
2. While selecting 600mm wide step, the upper truss must extend 417mm more; when the escalator with 80k VVVF, the upper truss should be extend 300mm more.		Model No.	XDM/XCM/XFT30-800K
3. The sales should provide the drawing in 4 copies, 2 copies should be returned back to Technical Dept after client's signing.		Model No.	XDM/XCM/XFT30-1000K
4. The dimension unit is mm but maybe some dimension will be changed without pre-notice any more.		Speed	0.5M/S
		Rise	H= mm
		Angle	35 °
		Reaction Force R1	KN
		Reaction Force R2	KN
		Weight	KN
		Power	Motive 3PH AC 380V 50HZ
			Lighting 1PH AC 220V 50HZ

Construction Parameters

XDRM Single arrangement moving walk construction sketch(indoor)



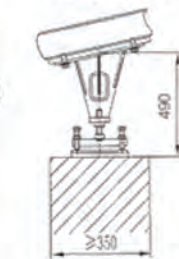
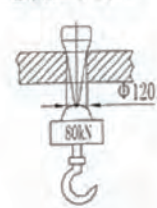
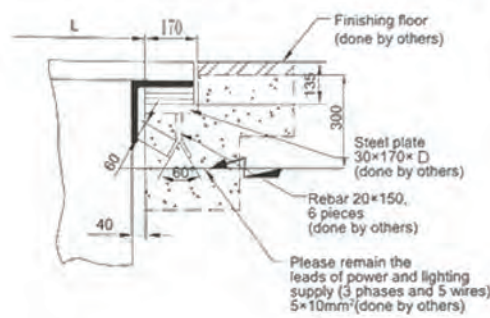
XDRM Single arrangement moving walk construction sketch(outdoor)



Details for I

Details for II

Details for III



Step	800	1000
A	800	1000
B	1038	1238
c	1340	1540

Reaction Force		
W/o intermediate support(KN)	With one intermediate support(KN)	With double intermediate support(KN)
$R1=L_a \times q + M$	$R1=L_a \times q + M$	$R1=L_a \times q + M$
$R2=L_b \times q + N$	$R2=L_b \times q + N$	$R2=L_b \times q + N$
$R3=(L_a+L_b) \times 1.3 \times q$	$R3=(L_a+L_c) \times 1.3 \times q$	$R4=(L_b+L_c) \times 1.3 \times q$

Reaction Force Parameters	q	M	N	D	Inclined angle		
					Rise From	To	Intermediate Support
800	0.0039	9.5	4.5	E	2050	2250	
1000	0.0045	11	5	F	1340	1540	
12°	2664	5851	1	-	L/2	L/2	-
	5852	8000	1	1	L/3	L/3	L/3

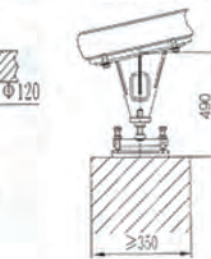
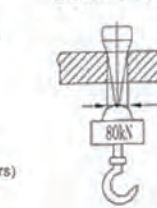
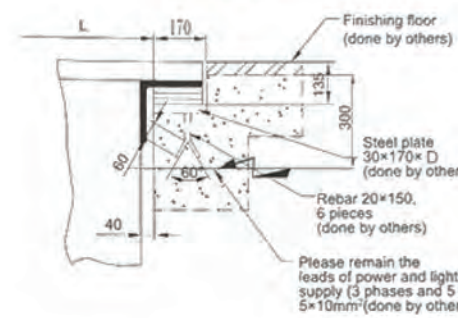
NOTE
 1. The drawing applies for the installation of single moving walk not higher than 8m rise.
 2. If double drive chosen, the upper truss must extend 417mm more; when the moving walk with 80k VVVF, the upper truss should be extend 300mm more.
 3. The sales should provide the drawing in 4 copies, 2 copies should be returned back to Technical Dept after client's signing.
 4. The dimension unit is mm but maybe some dimension will be changed without pre-notice any more.

Specification (Single indoor 1500)	
Model No.	XDRM-800 XDRM-1000
Speed	0.5M/S
Rise	H= mm
Angle	12 °
Reaction Force R1	KN
Reaction Force R2	KN
Reaction Force R3	KN
Reaction Force R4	KN
Weight	KN
Power	Motive 3PH AC 380V 50HZ Lighting 1PH AC 220V 50HZ

Details for I

Details for II

Details for III



Step	800	1000
A	800	1000
B	1038	1238
c	1340	1540

Reaction Force		
W/o intermediate support(KN)	With one intermediate support(KN)	With double intermediate support(KN)
$R1=L_a \times q + M$	$R1=L_a \times q + M$	$R1=L_a \times q + M$
$R2=L_b \times q + N$	$R2=L_b \times q + N$	$R2=L_b \times q + N$
$R3=(L_a+L_b) \times 1.3 \times q$	$R3=(L_a+L_c) \times 1.3 \times q$	$R4=(L_b+L_c) \times 1.3 \times q$

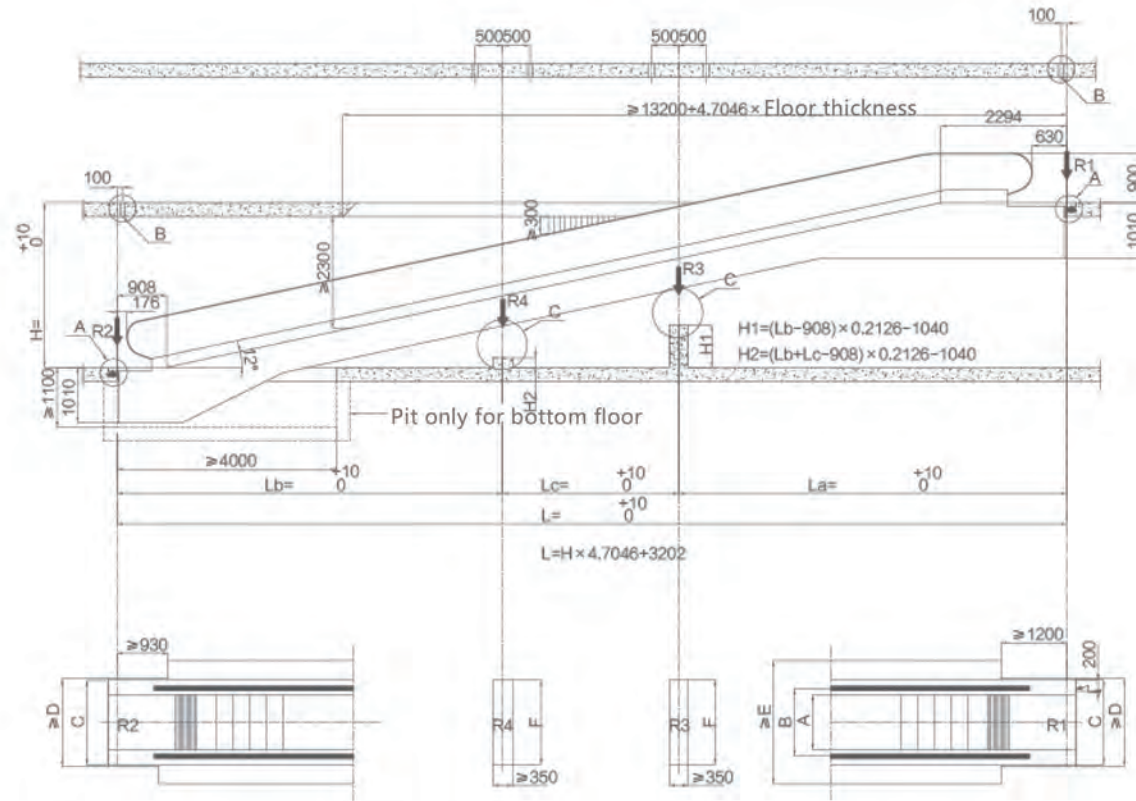
Reaction Force Parameters	q	M	N	D	Inclined angle		
					Rise From	To	Intermediate Support
800	0.0039	9.5	4.5	E	2050	2250	
1000	0.0045	11	5	F	1340	1540	
12°	2664	5851	1	-	L/2	L/2	-
	5852	8000	1	1	L/3	L/3	L/3

NOTE
 1. The drawing applies for the installation of single moving walk not higher than 8m rise.
 2. If double drive chosen, the upper truss must extend 417mm more; when the moving walk with 80k VVVF, the upper truss should be extend 300mm more.
 3. The sales should provide the drawing in 4 copies, 2 copies should be returned back to Technical Dept after client's signing.
 4. The dimension unit is mm but maybe some dimension will be changed without pre-notice any more.

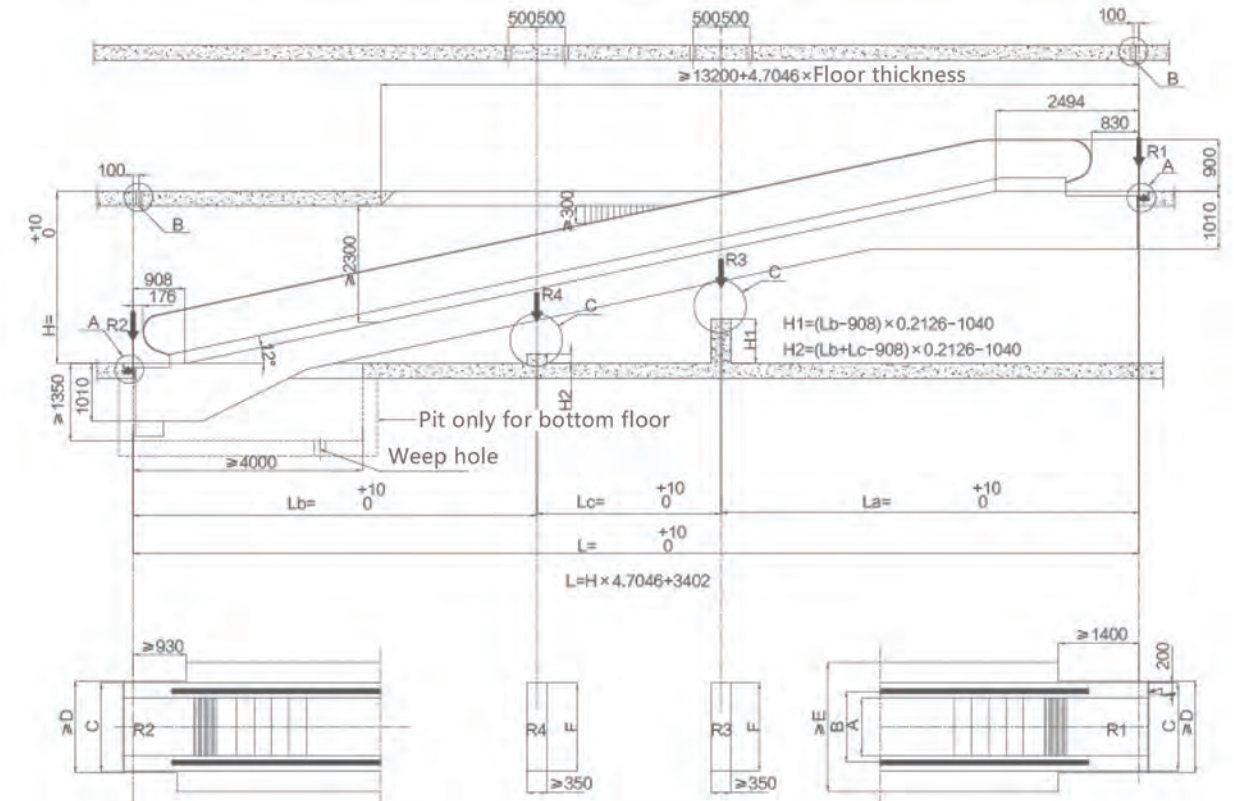
Specification (Single outdoor 1500)	
Model No.	XDRM-800 XDRM-1000
Speed	0.5M/S
Rise	H= mm
Angle	12 °
Reaction Force R1	KN
Reaction Force R2	KN
Reaction Force R3	KN
Reaction Force R4	KN
Weight	KN
Power	Motive 3PH AC 380V 50HZ Lighting 1PH AC 220V 50HZ

Construction Parameters

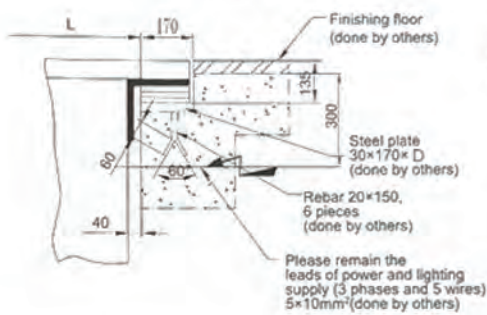
XDRH Single arrangement moving walk construction sketch(indoor)



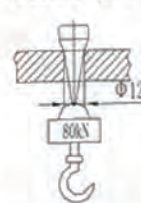
XDRH Single arrangement moving walk construction sketch(outdoor)



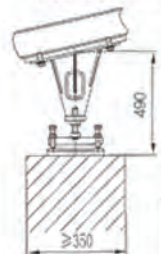
Details for I



Details for II



Details for III



NOTE

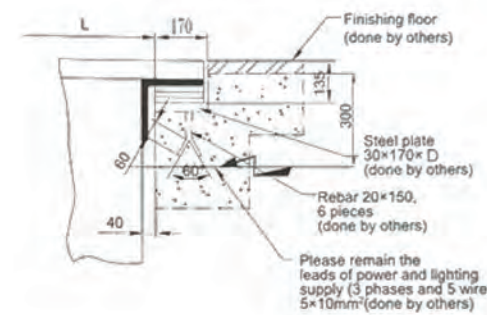
- The drawing applies for the installation of single moving walk not higher than 8m rise.
- If double drive chosen, the upper truss must extend 417mm more; when the moving walk with 80k VVVF, the upper truss should be extend 300mm more.
- The sales should provide the drawing in 4 copies, 2 copies should be returned back to Technical Dept after client's signing.
- The dimension unit is mm but maybe some dimension will be changed without pre-notice any more.

Specification (Single indoor 1500)	
Model No.	XDRH-800 XDRH-1000
Speed	0.5M/S
Rise	H= mm
Angle	12 °
Reaction Force R1	KN
Reaction Force R2	KN
Reaction Force R3	KN
Reaction Force R4	KN
Weight	KN
Power	Motive 3PH AC 380V 50HZ Lighting 1PH AC 220V 50HZ

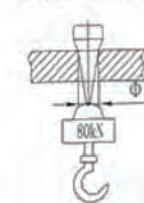
Reaction Force	
With intermediate support(KN)	Without intermediate support(KN)
800	1000
1601	2508
2509	5695
5096	8000

Inclined angle	Rise		Intermediate Support		La	Lb	Lc
	From	To	R3	R4			
12 °	1601	2508	-	-	-	-	-
	2509	5695	1	-	L/2	L/2	-
	5096	8000	1	1	L/3	L/3	L/3

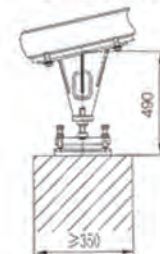
Details for I



Details for II



Details for III



NOTE

- The drawing applies for the installation of single moving walk not higher than 8m rise.
- If double drive chosen, the upper truss must extend 417mm more; when the moving walk with 80k VVVF, the upper truss should be extend 300mm more.
- The sales should provide the drawing in 4 copies, 2 copies should be returned back to Technical Dept after client's signing.
- The dimension unit is mm but maybe some dimension will be changed without pre-notice any more.

Specification (Single outdoor 1500)	
Model No.	XDRH-800 XDRH-1000
Speed	0.5M/S
Rise	H= mm
Angle	12 °
Reaction Force R1	KN
Reaction Force R2	KN
Reaction Force R3	KN
Reaction Force R4	KN
Weight	KN
Power	Motive 3PH AC 380V 50HZ Lighting 1PH AC 220V 50HZ

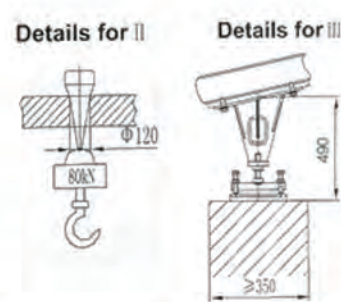
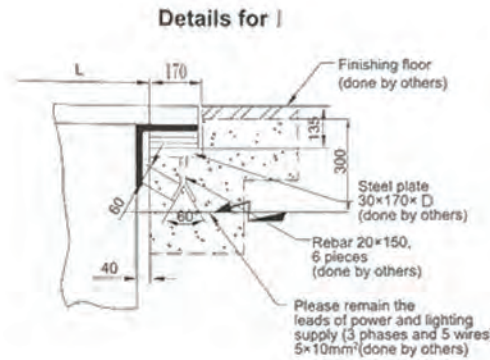
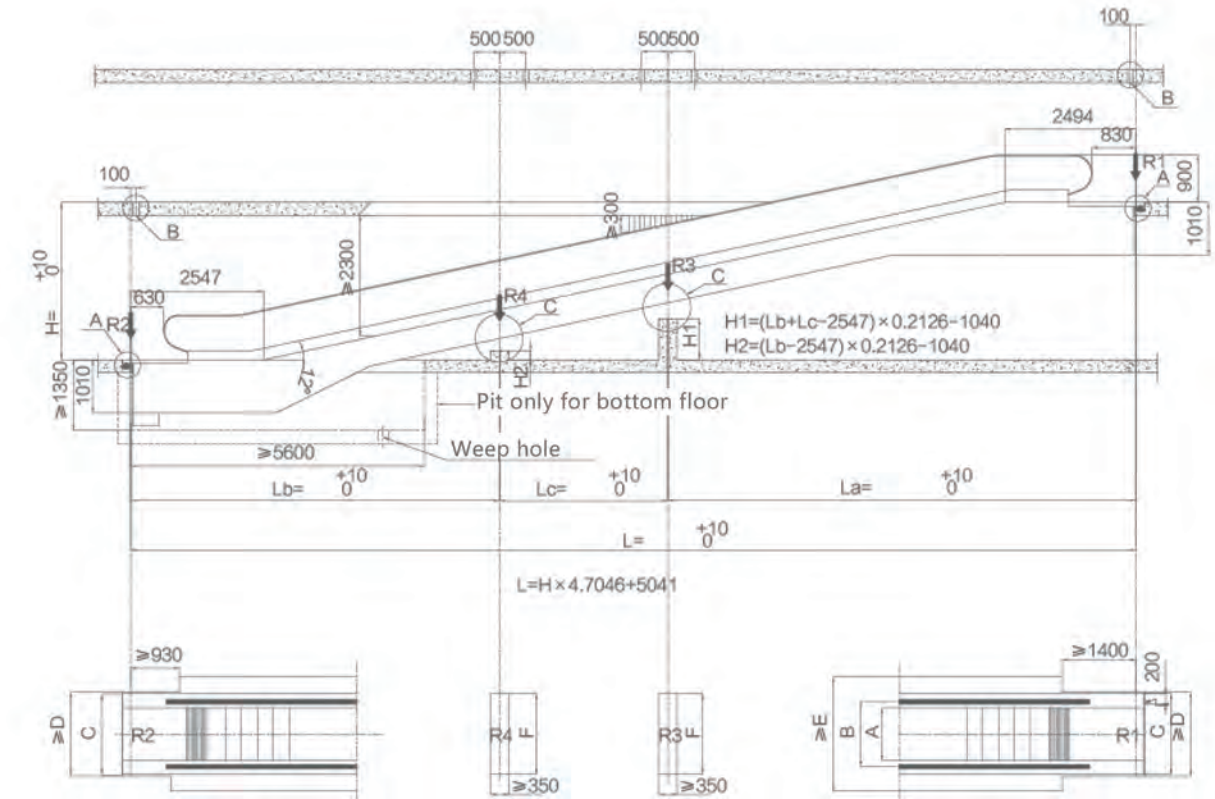
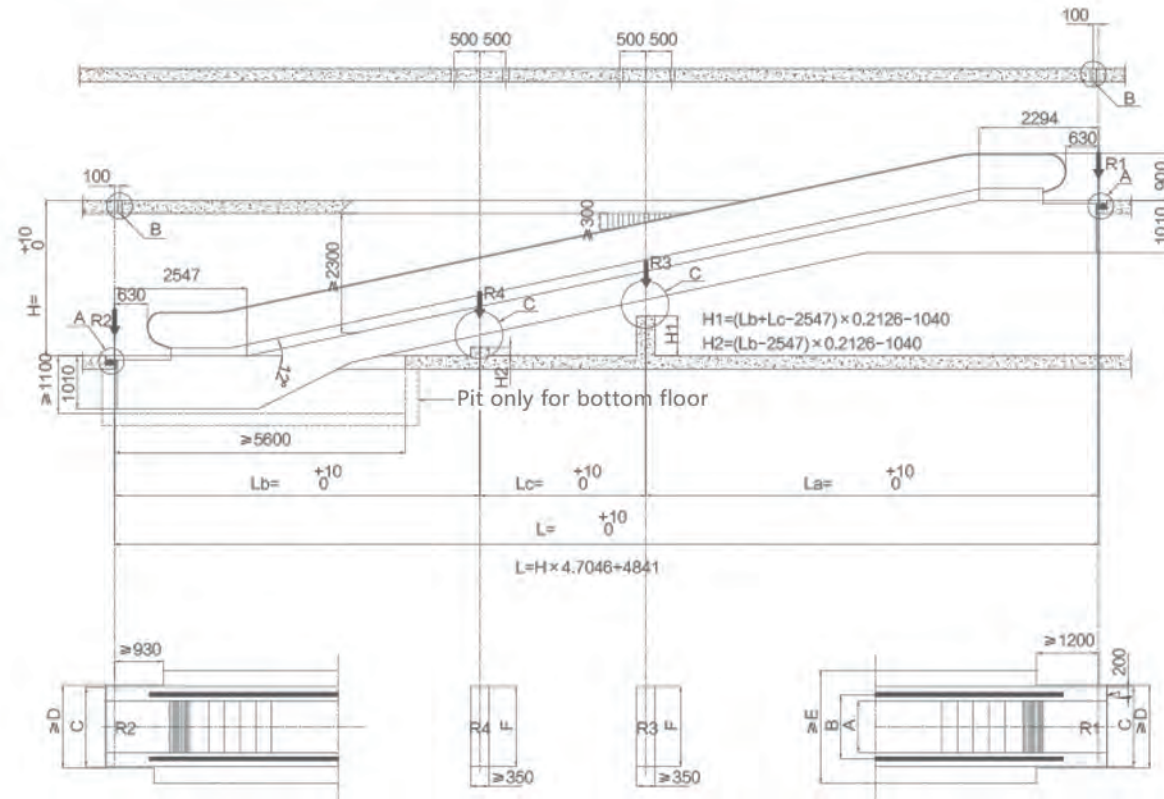
Reaction Force	
With intermediate support(KN)	Without intermediate support(KN)
800	1000
1601	2508
2509	5695
5096	8000

Inclined angle	Rise		Intermediate Support		La	Lb	Lc
	From	To	R3	R4			
12 °	1601	2508	-	-	-	-	-
	2509	5695	1	-	L/2	L/2	-
	5096	8000	1	1	L/3	L/3	L/3

Construction Parameters

XDRS Single arrangement moving walk construction sketch(indoor)

XDRS Single arrangement moving walk construction sketch(outdoor)



Step Width	800	1000
A	800	1000
B	1038	1238
C	1340	1540

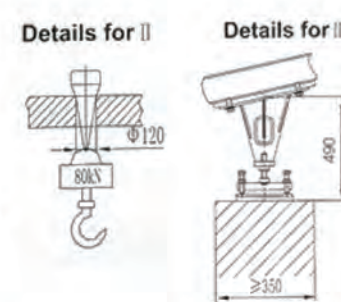
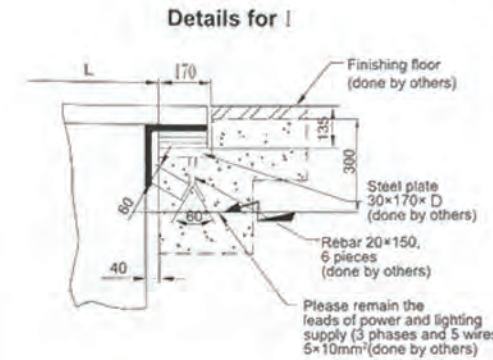
Reaction Force		
W/o intermediate support (KN)	With one intermediate support (KN)	With double intermediate support (KN)
$R_1 = L_a \times q + M$	$R_1 = L_a \times q + M$	$R_1 = L_a \times q + M$
$R_2 = L_a \times q + N$	$R_2 = L_b \times q + N$	$R_2 = L_b \times q + N$
$R_3 = (L_a + L_b) \times 1.3 \times q$	$R_3 = (L_a + L_c) \times 1.3 \times q$	$R_4 = (L_b + L_c) \times 1.3 \times q$

Reaction Force Parameters	q	M	N	D	1400		1600	
					E	F	E	F
800	0.0039	9.5	4.5	E	F	1978	2178	
1000	0.0045	11	5	F	F	1340	1540	

NOTE

- The drawing applies for the installation of single moving walk not higher than 6m rise.
- If double drive chosen, the upper truss must extend 417mm more; when the moving walk with 80k VVVF, the upper truss should be extend 300mm more.
- The sales should provide the drawing in 4 copies, 2 copies should be returned back to Technical Dept after client's signing.
- The dimension unit is mm but maybe some dimension will be changed without pre-notice any more.

Specification (Single indoor 1500)	
Model No.	XDRS-800 XDRS-1000
Speed	0.5M/S
Rise	H= mm
Angle	12 °
Reaction Force R1	KN
Reaction Force R2	KN
Reaction Force R3	KN
Reaction Force R4	KN
Weight	KN
Power	Motive 3PH AC 380V 50HZ Lighting 1PH AC 220V 50HZ



Step Width	800	1000
A	800	1000
B	1038	1238
C	1340	1540

Reaction Force		
W/o intermediate support (KN)	With one intermediate support (KN)	With double intermediate support (KN)
$R_1 = L_a \times q + M$	$R_1 = L_a \times q + M$	$R_1 = L_a \times q + M$
$R_2 = L_a \times q + N$	$R_2 = L_b \times q + N$	$R_2 = L_b \times q + N$
$R_3 = (L_a + L_b) \times 1.3 \times q$	$R_3 = (L_a + L_c) \times 1.3 \times q$	$R_4 = (L_b + L_c) \times 1.3 \times q$

Reaction Force Parameters	q	M	N	D	1400		1600	
					E	F	E	F
800	0.0039	9.5	4.5	E <td>F <td>1978</td> <td>2178</td> </td>	F <td>1978</td> <td>2178</td>	1978	2178	
1000	0.0045	11	5	F <td>F <td>1340</td> <td>1540</td> </td>	F <td>1340</td> <td>1540</td>	1340	1540	

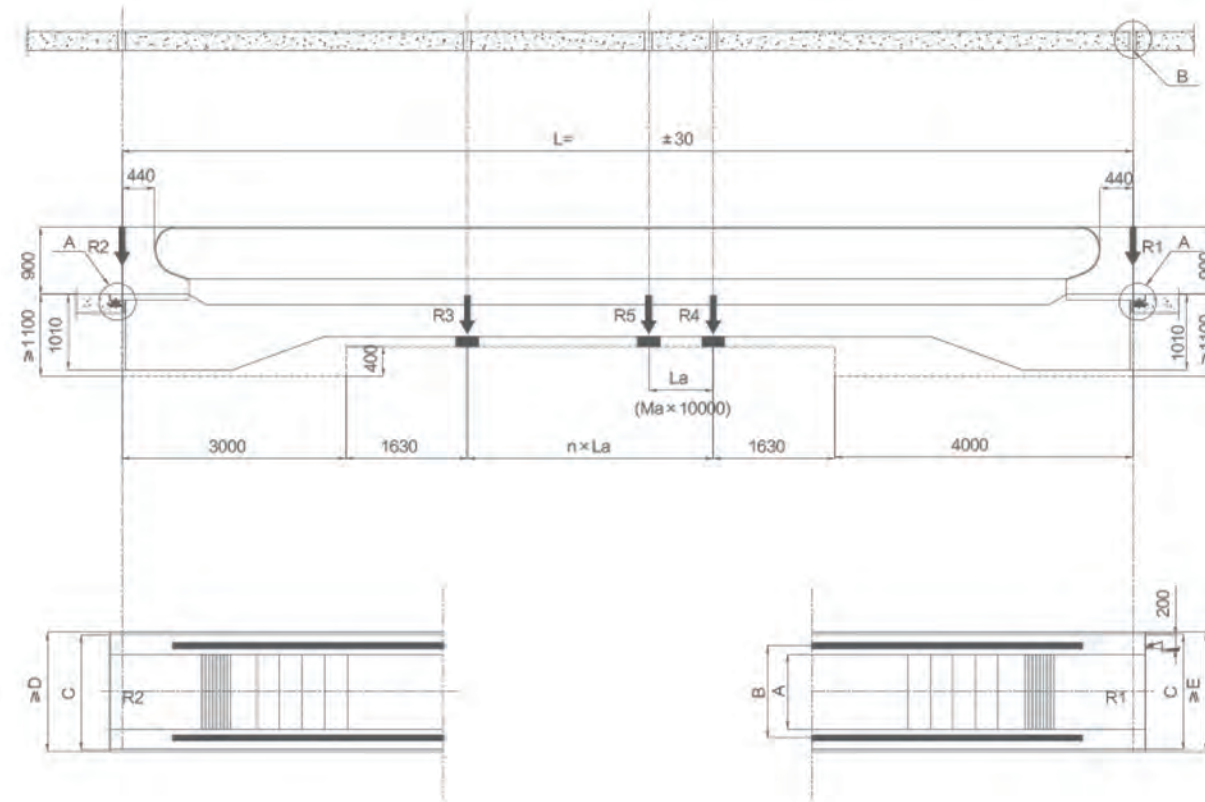
NOTE

- The drawing applies for the installation of single moving walk not higher than 6m rise.
- If double drive chosen, the upper truss must extend 417mm more; when the moving walk with 80k VVVF, the upper truss should be extend 300mm more.
- The sales should provide the drawing in 4 copies, 2 copies should be returned back to Technical Dept after client's signing.
- The dimension unit is mm but maybe some dimension will be changed without pre-notice any more.

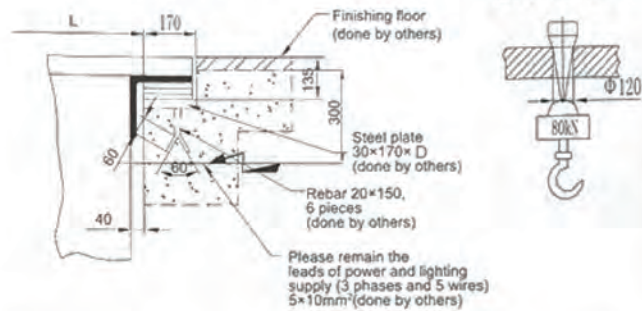
Specification (Single outdoor 1500)	
Model No.	XDRS-800 XDRS-1000
Speed	0.5M/S
Rise	H= mm
Angle	12 °
Reaction Force R1	KN
Reaction Force R2	KN
Reaction Force R3	KN
Reaction Force R4	KN
Weight	KN
Power	Motive 3PH AC 380V 50HZ Lighting 1PH AC 220V 50HZ

Construction Parameters

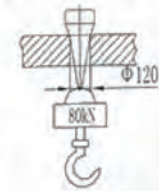
XDRP-M Single arrangement moving walk construction sketch(indoor)



Details for I



Details for II

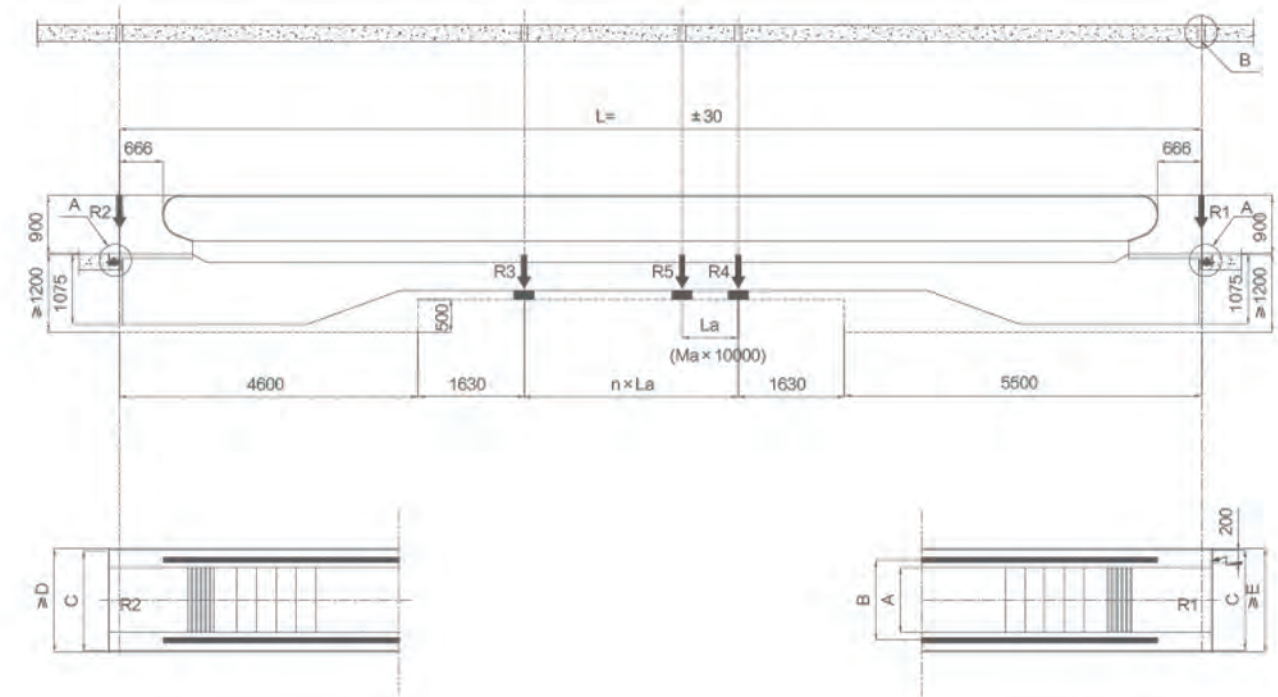


Specification (Single outdoor 1500)	
Model No.	XDRP-M-800 XDRP-M-1000
Speed	0.5M/S
Rise	H= mm
Angle	0 °
Reaction Force R1	KN
Reaction Force R2	KN
Reaction Force R3	KN
Reaction Force R4	KN
Reaction Force R5	KN
Weight	KN
Power	Motive 3PH AC 380V 50HZ Lighting 1PH AC 220V 50HZ

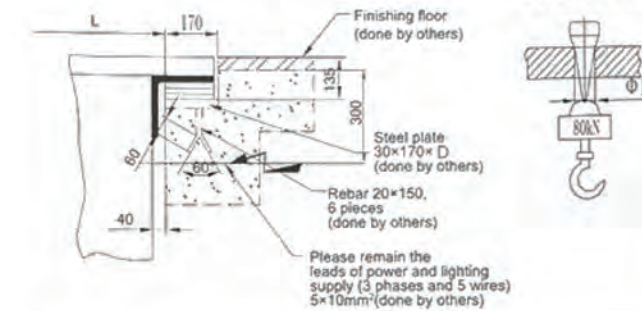
NOTE
 1. The drawing applies for the installation of single moving walk.
 2. While selecting 600mm wide step, the upper truss must extend 417mm more; While selecting 800mm wide step, the upper truss must extend 300mm
 3. The sales should provide the drawing in 4 copies, 2 copies should be returned back to Technical Dept after client's signing.
 4. The dimension unit is mm but maybe some dimension will be changed without pre-notice any more.

Pallet Width	800	1000	Pallet Width	800	1000
R1	32KN	36KN	A	800	1000
R2	31KN	33KN	B	1038	1238
R3	49KN	55KN	C	1340	1540
R4	50KN	57KN	D	1400	1600
R5	43KN	51KN	E	1400	1600

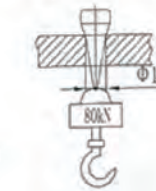
XDRP-H Single arrangement moving walk construction sketch(outdoor)



Details for I



Details for II



Pallet Width	800	1000	Pallet Width	800	1000	1200	1400
R1	32KN	36KN	A	800	1000	1200	1400
R2	31KN	33KN	B	1038	1238	1438	1638
R3	49KN	55KN	C	1340	1540	1740	1940
R4	50KN	57KN	D	1400	1600	1800	2000
R5	43KN	51KN	E	1400	1600	1800	2000

Specification (Single outdoor 1500)	
Model No.	XDRP-H-800 XDRP-H-1000 XDRP-H-1200 XDRP-H-1400
Speed	0.5M/S
Rise	H= mm
Angle	0 °
Reaction Force R1	KN
Reaction Force R2	KN
Reaction Force R3	KN
Reaction Force R4	KN
Reaction Force R5	KN
Weight	KN
Power	Motive 3PH AC 380V 50HZ Lighting 1PH AC 220V 50HZ

NOTE
 1. The drawing applies for the installation of single moving walk.
 2. While selecting 600mm wide step, the upper truss must extend 417mm more; While selecting 800mm wide step, the upper truss must extend 300mm
 3. The sales should provide the drawing in 4 copies, 2 copies should be returned back to Technical Dept after client's signing.
 4. The dimension unit is mm but maybe some dimension will be changed without pre-notice any more.



High integrity of leading technical superiority and humanity pursuit,
safe and reliable public transport model

XDT public transport escalator, based on the concept of harmonious carrying and reasonable external structure,
Efficient internal drive and ever improved product skills, demanding product details to present perfect ride experience.
Widely used in large-scale subways, railway stations, airports and other public transportation areas.



RANGE OF SPEED

Inclined Angle	Step Width (mm)	Rated Speed (m/s)	Horizontal Step Number	Max Rise (m)
30°/27.3°/23.2°	1000/800/600	0.5/0.65	3	16



The best solution for public transportation with large traffic

The heavy-duty public traffic type escalator (XDW) is a specially customized heavy-duty escalator for public traffic, Excellent product quality, superior operating performance and leading security, with maximum lifting height of 30 meters. Able to fully meet the strict carrying requirements of high lifting height, great traffic and long transport time. Providing the best solution for the subways, railway stations, airports and other public transportation areas.

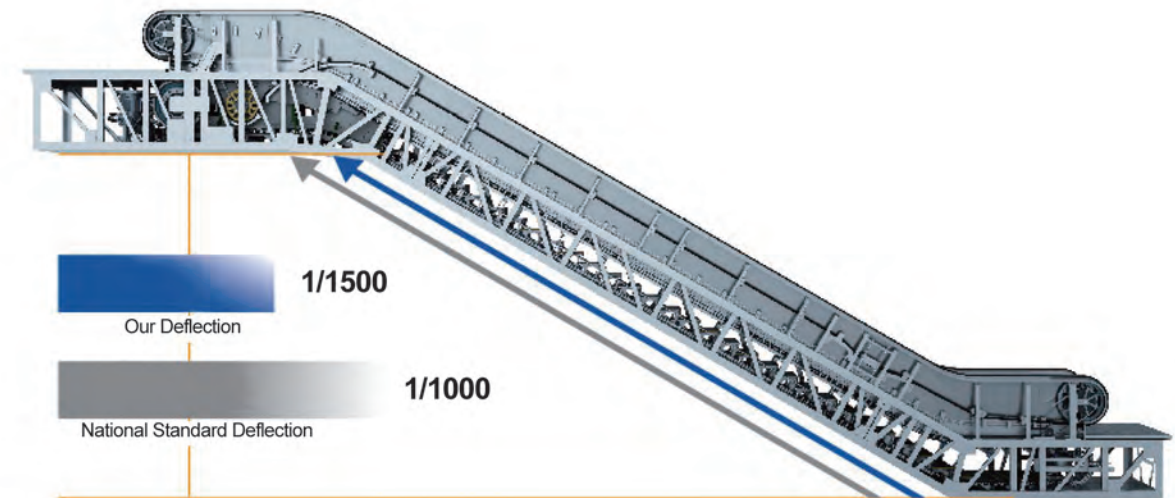


RANGE OF SPEED

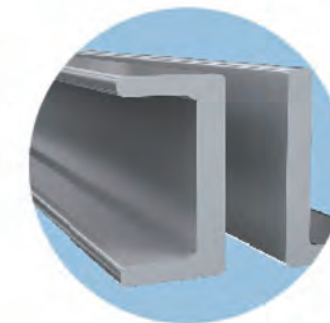
Inclined Angle	Step Width (mm)	Rated Speed (m/s)	Horizontal Step Number	Max Rise (m)
30°	1000/800/600	0.5/0.65	4	30

Reinforced steel frame,which is durable

- The whole structure by finite element analysis of the computer,has high accuracy and easily adapts to a variety of complex shapes.
- The truss uses robotic welding technique,strong and durable,with higher precision, fine quality.
- Complete angle steel profiles truss frame, is not only anti-rust, but also has high strength of 1/1500, far beyond the national standard(1/1000).



Smaller deflection,higher requirements,
standard is higher than the
national standard



Complete angle steel profiles



Robot Welding

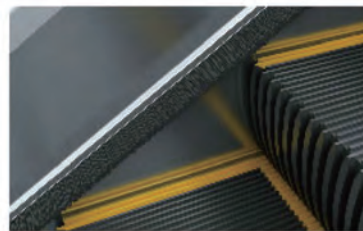
Thoughtful and thoroughly secure

Skirting panel brush, can effectively prevent passengers' shoes from grazing skirt panel, and can safety and effectively prevent foreign matters from being brought into the cascade to cause accidents or an elevator accidents.

Whether it is downward or upward direction, the bottom of the side of escalators is equipped with a red emergency stop button, when an emergency occurs, press the button immediately to stop it.

The indicator of the moving direction is located at the entrance of the handrail, to display the operation or forbidding instructions to ensure the passengers ride safety and freely.

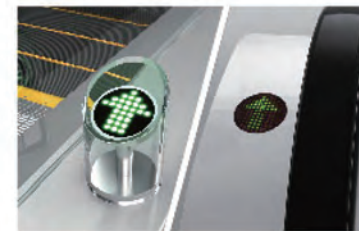
When a failure occurs, the failure code will be displayed on the failure screen, for accurate judgment of failure location, greatly improving maintenance efficiency.



Skirting Panel Brush



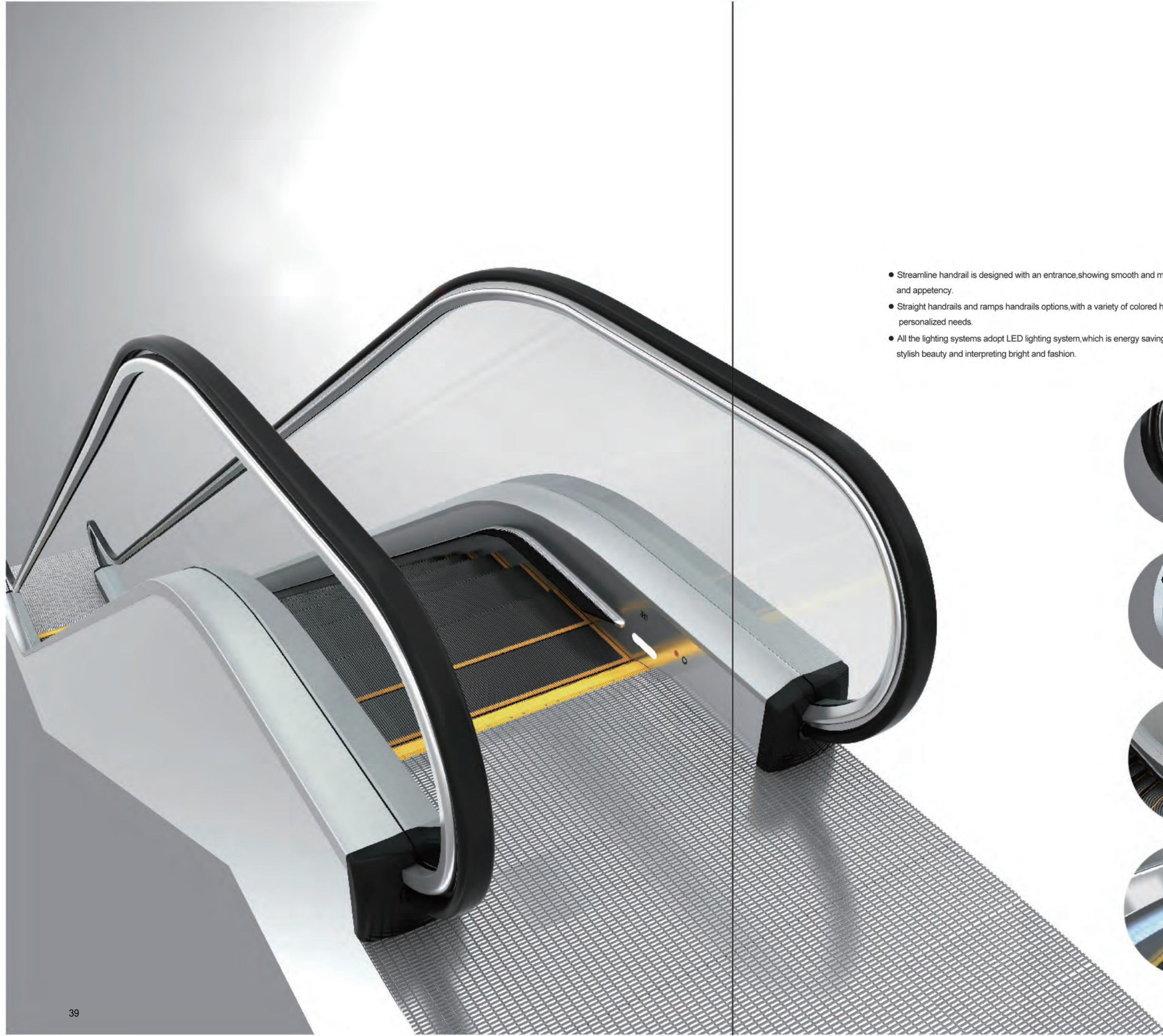
Emergency Stop Button



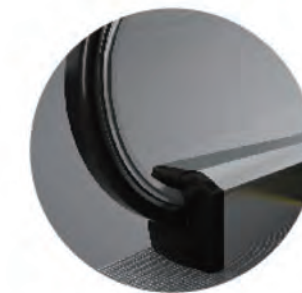
Running Indicator(Optional)



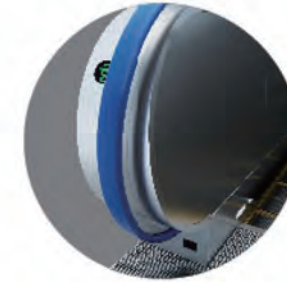
Fault display



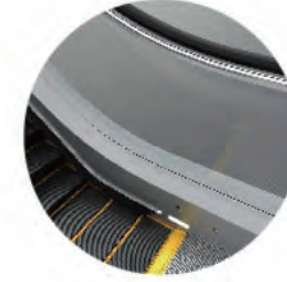
- Streamline handrail is designed with an entrance, showing smooth and mellow beauty, giving the escalator more spirituality and appetency.
- Straight handrails and ramps handrails options, with a variety of colored handrails and baseboard colors, to create diverse personalized needs.
- All the lighting systems adopt LED lighting system, which is energy saving and environmentally friendly, as while as adding stylish beauty and interpreting bright and fashion.



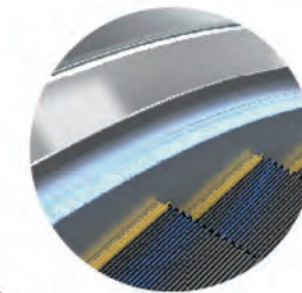
Handrail belt entrance



Ramp handrail



Straight glass handrail



LED lighting

Flexible configuration,which is adaptable

- Hot-dip galvanized truss responds effectively to the long-time wind and rain erosion,with anti-corrosion,dustproofing and other functions,and the zinc layer is thick with long service life.
- Cooling output and heating parts,cooling output and heating parts are allocated on the basis of different environment,effectively regulating body temperature,to ensure the normal operation.
- Lower machine room installation water level detection sensor(ladder outdoor),can automatically detect the water level,to discover water problems.



Lower machine room installation water level detection sensor(ladder outdoor)



Cooling output and heating parts





Escalator superior performance specification sheet

Escalator Specifications Model

Public traffic	XDT-M	XDTF-M	Heavy duty public traffic	XDW-L	XDTF-A
----------------	-------	--------	---------------------------	-------	--------

The main technical performance allocation

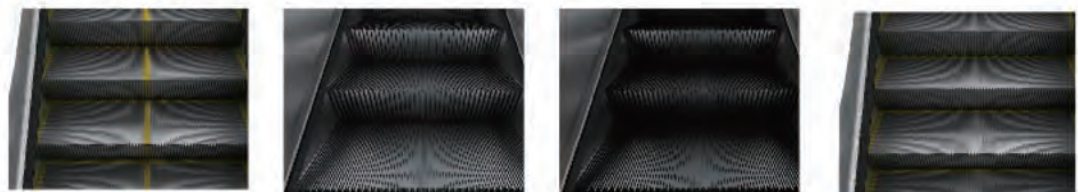
Type	Model	Angle	Rise height H	Installation site	Horizontal Step number	Running speed	The safety coefficient of main components	Truss Deflection	Step roller	Remark
Public traffic	XDT-M	30°	H≤12m	Indoor/outdoor	Three horizontal	0.5m/s 0.65m/s	>5	<1/1000	φ80mm	
		27.3°	H≤12m	Indoor/outdoor	Three horizontal					
		23.2°	H≤12m	Indoor/outdoor	Three horizontal					
	XDTF-M	30°	H≤16m	Indoor/outdoor	Three horizontal					
		27.3°	H≤16m	Indoor/outdoor	Three horizontal					
		23.2°	H≤16m	Indoor/outdoor	Three horizontal					
Heavy duty public traffic	XDW-L	30°	H≤16m	Indoor/outdoor	Four horizontal	0.5m/s 0.65m/s 0.75m/s	>8	<1/1500	φ100mm	
	XDW-A		H≤30m		Four horizontal					

Appearance configuration model lists

Type	Model	Handrail type	Comb type	Step	Landing plate	Inlet/outlet	Balustrade type	Remark		
Public traffic	XDT-M	Type C	Aluminum comb plastic comb	Stainless steel aluminum	Stainless steel punched	Stainless steel 9300 Stainless Steel	B-10 tempered glass			
	XDTF-M						Stainless steel			
Heavy duty public traffic	XDW-L	Type V				Etched the pattern style can design	Black plastic	6+6 laminated tempered glass		
	XDW-A								Stainless steel	

Superb design, aesthetic enjoyment of technology

Step



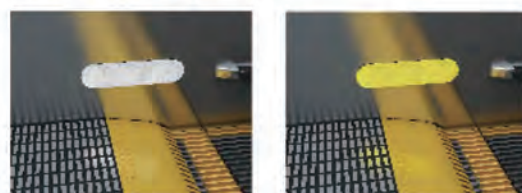
Frame Spraying E-Type(Standard) Silver Grey Aluminum Alloy (Optional) Black Aluminum Alloy(Optional) Frame Spraying C-Type(Optional)

Frontier Board



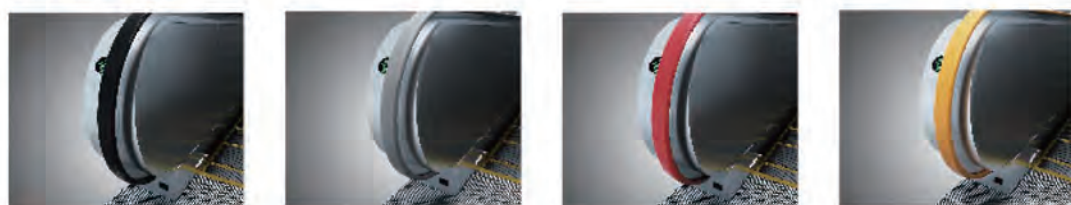
Stainless Steel Square Patch (Standard) Aluminum Patch(Optional)

Comb teeth Lighting

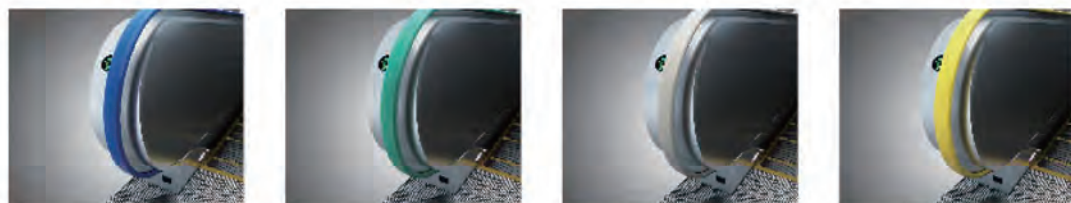


White LED(Optional) Yellow LED(Optional)

Handrail Color

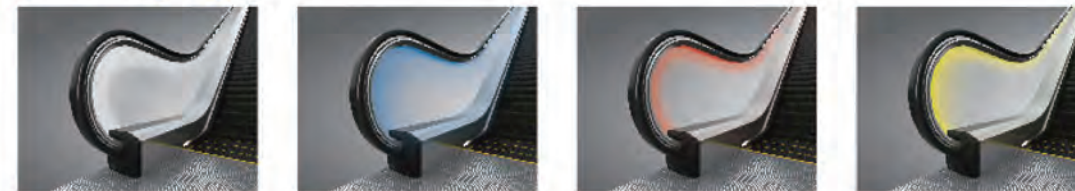


Black(Standard) Gray(Optional) Red(Optional) Orange(Optional)



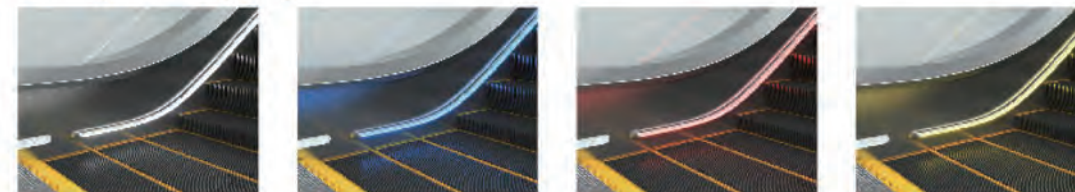
Blue(Optional) Greenish Blue(Optional) Light Brown(Optional) Yelow(Optional)

Handrail Lighting



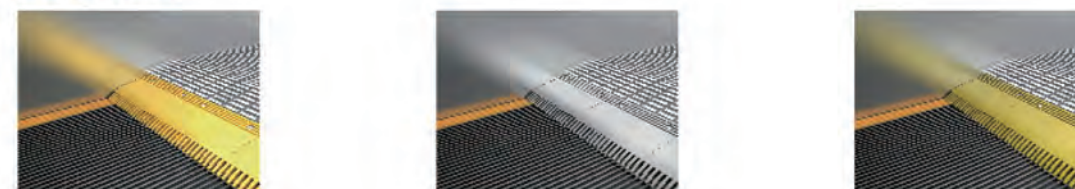
White(Optional) Blue(Optional) Red(Optional) Yelow(Optional)

Skirting Panel Lighting



White(Optional) Blue(Optional) Red(Optional) Yelow(Optional)

Comb Teeth



Yellow Plastic(Standard for Indoor Escalator) Aluminum(Standard for Outdoor Escalator) Aluminum Surface Yellow Paint (Optional)

Balustrade Panel



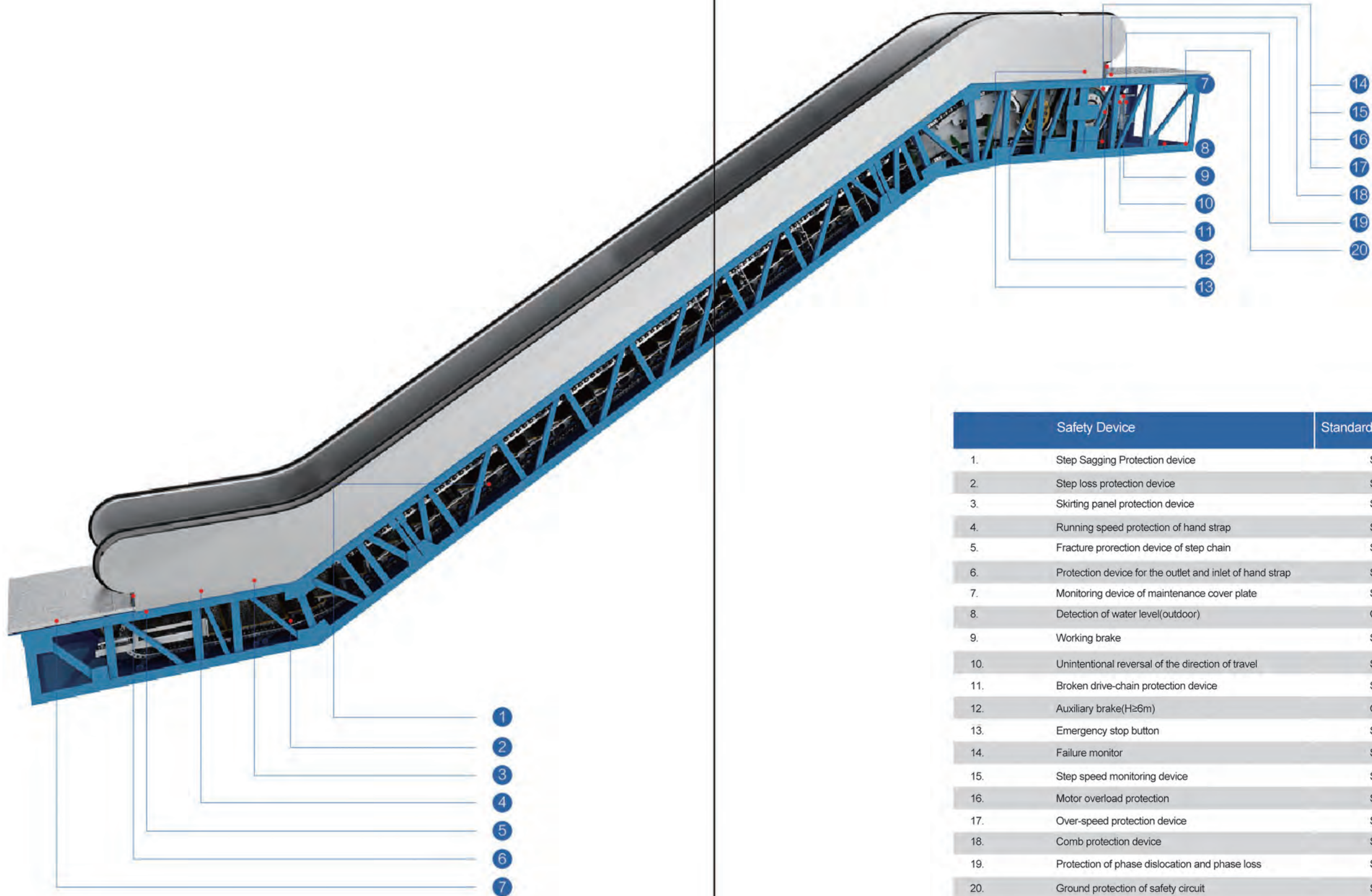
Safety Glass Colorless(Vetical Handrail Standard) Stainless Steel(Vetical Handrail) Stainless Steel(Oblique Inclined Handrail)

Running Direction Indicator



Transparent Plastic LED Display (Optional) Black Plastic Dot Matrix Display (Optional) Green Arrow Dot Matrix Display (KLT-XF Optional)

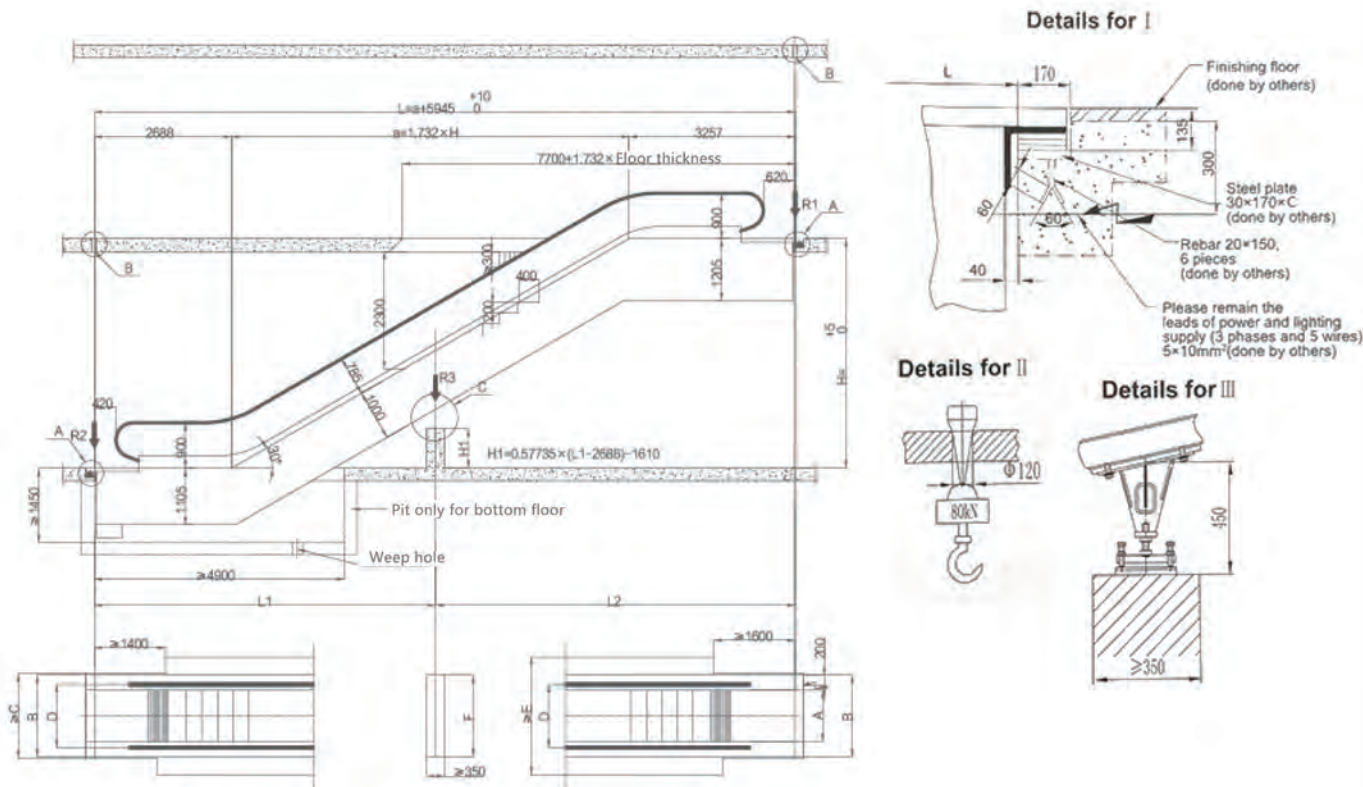
Safety device



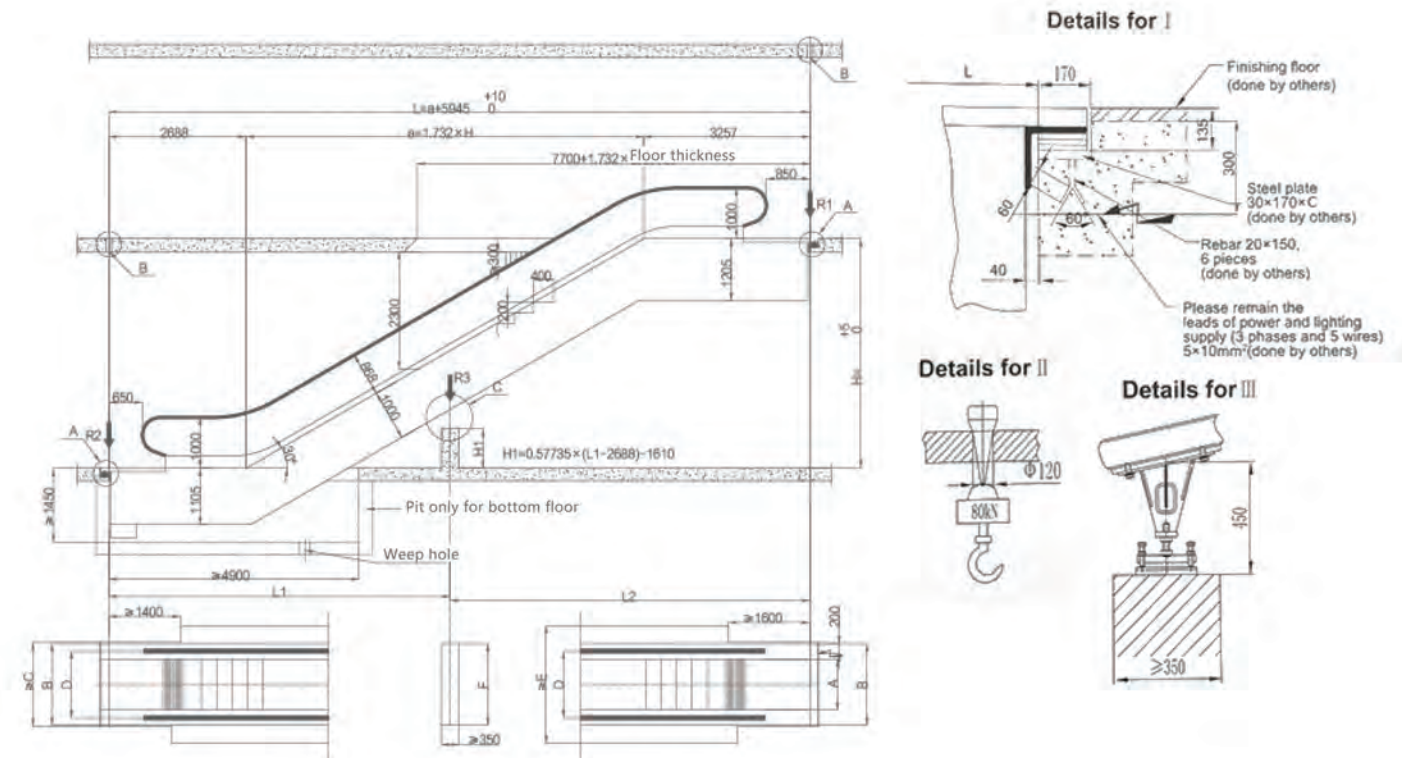
Safety Device		Standard/Optional
1.	Step Sagging Protection device	S
2.	Step loss protection device	S
3.	Skirting panel protection device	S
4.	Running speed protection of hand strap	S
5.	Fracture protection device of step chain	S
6.	Protection device for the outlet and inlet of hand strap	S
7.	Monitoring device of maintenance cover plate	S
8.	Detection of water level(outdoor)	O
9.	Working brake	S
10.	Unintentional reversal of the direction of travel	S
11.	Broken drive-chain protection device	S
12.	Auxiliary brake(H≥6m)	O
13.	Emergency stop button	S
14.	Failure monitor	S
15.	Step speed monitoring device	S
16.	Motor overload protection	S
17.	Over-speed protection device	S
18.	Comb protection device	S
19.	Protection of phase dislocation and phase loss	S
20.	Ground protection of safety circuit	S

Construction Parameters

XDT30° single-row M-support construction layout(outdoor)



XDW30A(big R ramp handrail)standard single-row construction layout(outdoor)



Outdoor escalator and moving walk upper part lengthen rule				
Step Width	Power			
	<15KW	15KW	2x11KW	2x15KW
W/o VVVF	600	217	217	300
	800	0	0	300
	1000	0	0	300
With VVVF	600	217	217	300
	800	0	0	300
	1000	0	0	300

Power Sheet (Step Width 1000mm, speed 0.5m/s)			
	8KW	11KW	15KW
3.0m < H ≤ 4.2m			
4.2m < H ≤ 5.8m			
5.8m < H ≤ 8.0m			
2x11KW			
2x15KW			
8.0m < H ≤ 11.5m			
11.5m < H ≤ 12m			

Specification (Single outdoor 1560)	
Model No.	XDT30-600M XDT30-800M XDT30-1000M
Speed	0.5MS
Rise	H = < 12000mm
Angle	30°
Reaction Force R1	KN
Reaction Force R2	KN
Reaction Force R3	KN
Weight	KN
Power	Motive 3PH AC 380V 50HZ Lighting 1PH AC 220V 50HZ

NOTE

- The drawing applies for the installation of single moving walk not higher than 12m rise.
- Upper truss part lengthen data refer to "Outdoor escalator/moving walk upper parts lengthen rule"; Overall length L can add max. 1200mm and ensure the intermediate distance ≤ 14500mm
- Upper and lower part size is not allowed to reduce. Note: if any of above condition can not be fulfilled due to construction, pls. consult our technical Dept.
- The sales should provide the drawing in 4 copies, 2 copies should be returned back to Technical Dept after client's signing.
- The dimension unit is mm but maybe some dimension will be changed without pre-notice any more.

Bearing reaction

Step Width	600	800	1000
R1(KN)	4.1 x L2+15.5	4.5x L2+16.1	5xL2+17.5
R2(KN)	4.1 x L1+7.8	4.5x L1+7.8	5xL1+8.5
R3(KN)	4.25x L+9.5	4.5x L+10.5	5xL+11.5
Note	Unit of L, L1, L2 is m, L1 & L2 ≤ 14.5m		

Standard specification and size

Model No.	XDT-600M	XDT-800M	XDT-1000M
A	600	800	1000
B	1200	1400	1600
C	1260	1460	1660
D	838	1038	1238
E	1910	2110	2310
F	1200	1400	1600

Outdoor escalator and moving walk upper part lengthen rule				
Step Width	Power			
	<15KW	15KW	2x11KW	2x15KW
W/o VVVF	600	217	217	300
	800	0	0	300
	1000	0	0	300
With VVVF	600	217	217	300
	800	0	0	300
	1000	0	0	300

Power Sheet (Step Width 1000mm, speed 0.5m/s)			
	8KW	11KW	15KW
3.0m < H ≤ 4.2m			
4.2m < H ≤ 5.8m			
5.8m < H ≤ 8.0m			
2x11KW			
2x15KW			
8.0m < H ≤ 11.5m			
11.5m < H ≤ 12m			

Specification (Single outdoor 1560)	
Model No.	XDTF30-600M XDTF30-800M XDTF30-1000M
Speed	0.5MS
Rise	H = < 16000mm
Angle	30°
Reaction Force R1	KN
Reaction Force R2	KN
Reaction Force R3	KN
Weight	KN
Power	Motive 3PH AC 380V 50HZ Lighting 1PH AC 220V 50HZ

NOTE

- The drawing applies for the installation of single moving walk not higher than 16m rise.
- Upper truss part lengthen data refer to "Outdoor escalator/moving walk upper parts lengthen rule"; Overall length L can add max. 1200mm and ensure the intermediate distance ≤ 14500mm
- Upper and lower part size is not allowed to reduce. Note: if any of above condition can not be fulfilled due to construction, pls. consult our technical Dept.
- The sales should provide the drawing in 4 copies, 2 copies should be returned back to Technical Dept after client's signing.
- The dimension unit is mm but maybe some dimension will be changed without pre-notice any more.

Bearing reaction

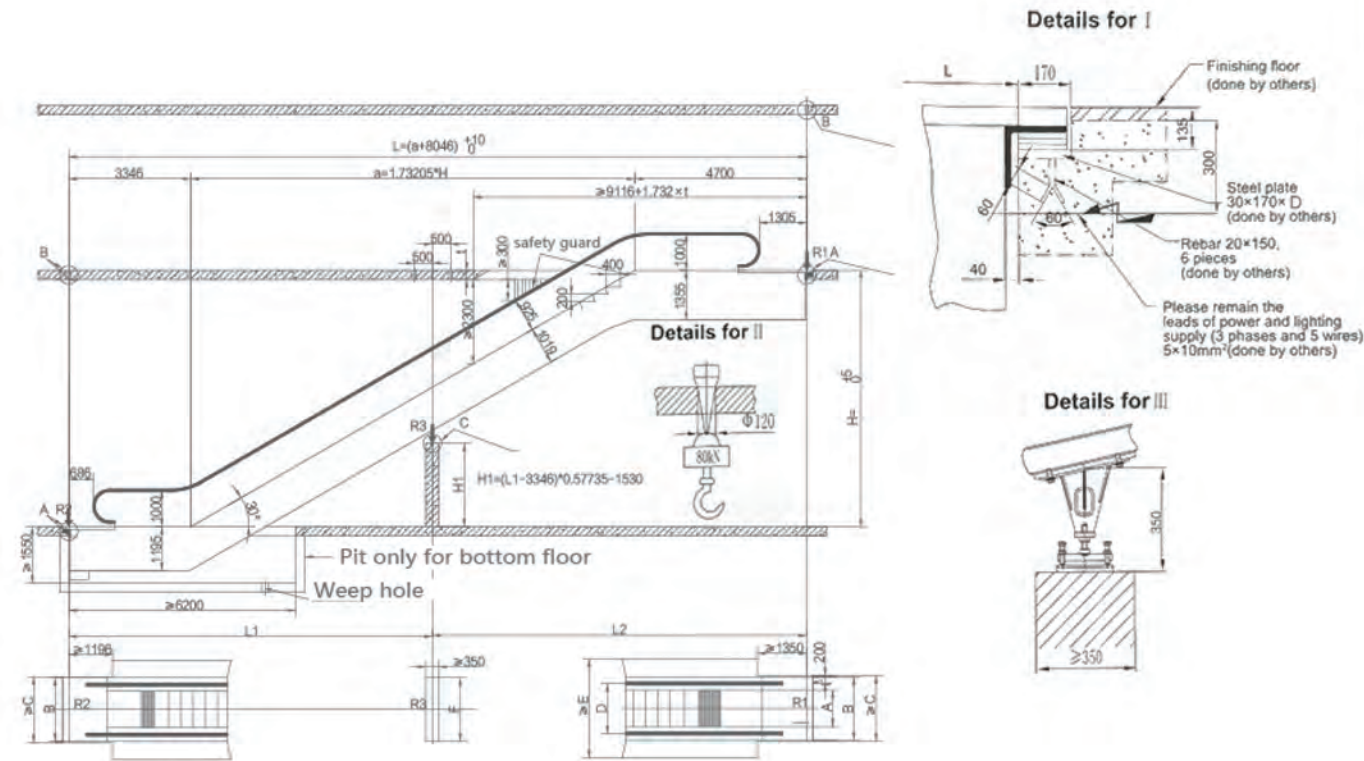
Step Width	600	800	1000
R1(KN)	4.1 x L2+15.5	4.5x L2+16.1	5xL2+17.5
R2(KN)	4.1 x L1+7.8	4.5x L1+7.8	5xL1+8.5
R3(KN)	4.25x L+9.5	4.5x L+10.5	5xL+11.5
Note	Unit of L, L1, L2 is m, L1 & L2 ≤ 14.5m		

Standard specification and size

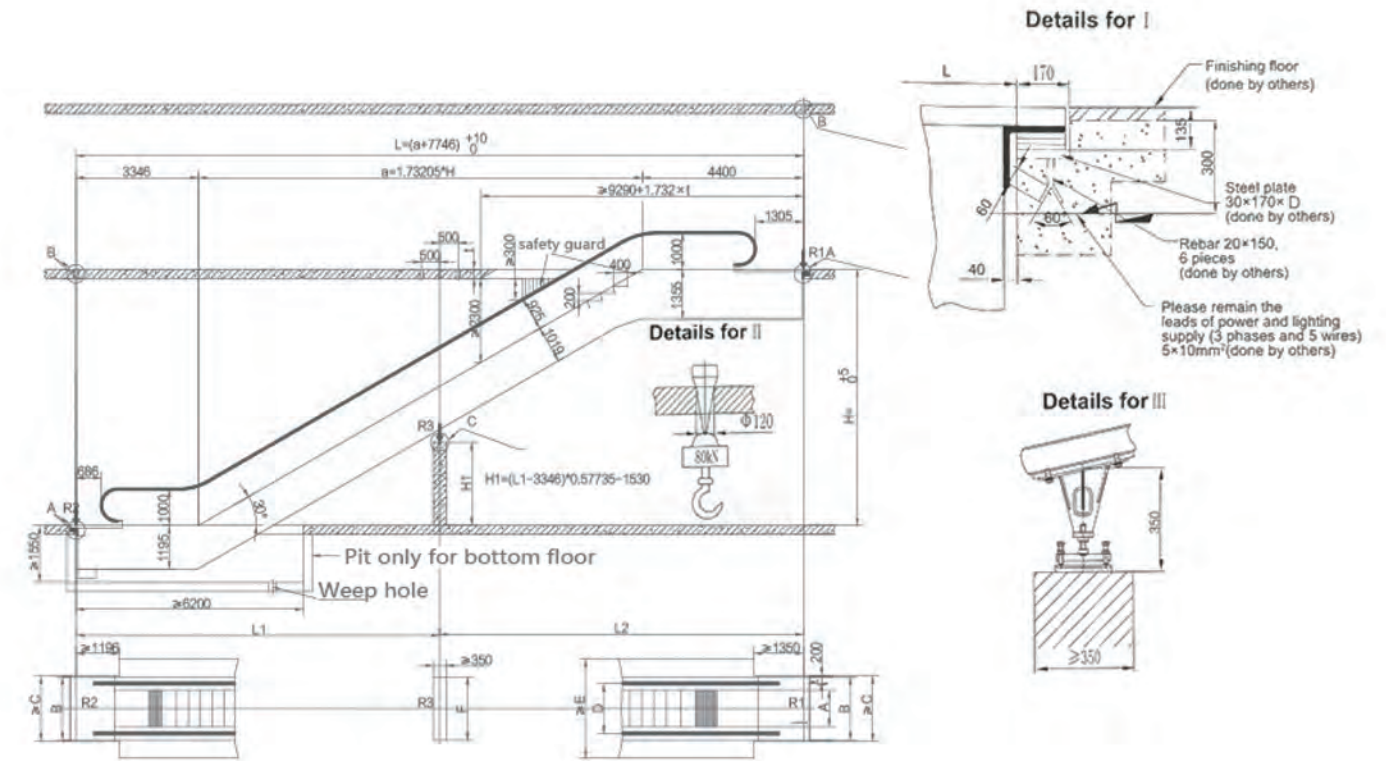
Model No.	XDT-600M	XDT-800M	XDT-1000M
A	600	800	1000
B	1200	1400	1600
C	1260	1460	1660
D	910	1110	1310
E	1910	2110	2310
F	1200	1400	1600

Construction Parameters

XDW30A(big R ramp handrail)standard single-row construction layout(outdoor)



XDW30A(small R ramp handrail)standard single-row construction layout(outdoor)



Power meter (pedal width 1000mm speed 0.5m/s)

8KW	11KW	15KW	18.5KW	2x11KW
3.0m<H≤4.0m	4.0m<H≤5.2m	5.2m<H≤7.2m	7.2m<H≤9.0m	9.0m<H≤10.8m
2x15KW	2x18.5KW	2x22KW	2x30KW	
10.8m<H≤14.5m	14.5m<H≤18.0m	18.0m<H≤22.0m	22.0m<H≤30.0m	

Bearing reaction

Step Width	600	800	1000
R1 (kN)	4.1×L2+38	4.5×L2+40	5×L2+42.5
R2 (kN)	4.1×L1+26	4.5×L1+27	5×L1+28.5
R3 (kN)	4.25×L+37	4.5×L+39	5.2×L+41.5

Standard specification and size

Model No.	XDW-60L	XDW-80L	XDW-100L
A	600	800	1000
B	1340	1540	1740
C	1400	1600	1800
D	962	1162	1362
E	2312	2512	2712
F	1340	1540	1740
G	4	5	6

NOTE

- The drawing applies for the installation of single escalator, which rise not higher than 30m.
- While selecting 600mm or 800mm wide step, the truss upper part should lengthen 420mm; the intermediate distance should be ≤1500mm
- The sales should provide the drawing in 4 copies, 2 copies should be returned back to Technical Dept after client's signing.
- The dimension unit is mm but maybe some dimension will be changed without pre-notice any more.

Specification (Single outdoor 1560)		
Model No.	XDW-1000	
Speed	0.5M/S	
Rise	H=≤30000mm	
Angle	30°	
Reaction Force R1	KN	
Reaction Force R2	KN	
Reaction Force R3	KN	
Motor Power	KW	
Power	Motive	3PH AC 380V 50HZ
	Lighting	1PH AC 220V 50HZ

Power meter (pedal width 1000mm speed 0.5m/s)

8KW	11KW	15KW	18.5KW	2x11KW
3.0m<H≤4.0m	4.0m<H≤5.2m	5.2m<H≤7.2m	7.2m<H≤9.0m	9.0m<H≤10.8m
2x15KW				
10.8m<H≤12.0m				

Bearing reaction

Step Width	600	800	1000
R1 (kN)	4.1×L2+38	4.5×L2+40	5×L2+42.5
R2 (kN)	4.1×L1+26	4.5×L1+27	5×L1+28.5
R3 (kN)	4.25×L+37	4.5×L+39	5.2×L+41.5

Standard specification and size

Model No.	XDW-60L	XDW-80L	XDW-100L
A	600	800	1000
B	1340	1540	1740
C	1400	1600	1800
D	962	1162	1362
E	2312	2512	2712
F	1340	1540	1740
G	4	5	6

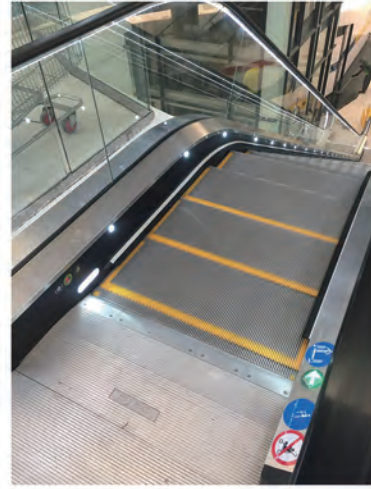
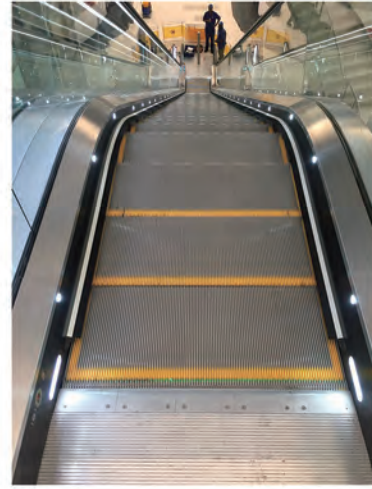
NOTE

- The drawing applies for the installation of single escalator, which rise not higher than 12m.
- While selecting 600mm or 800mm wide step, the truss upper part should lengthen 420mm; the intermediate distance should be ≤1500mm
- The sales should provide the drawing in 4 copies, 2 copies should be returned back to Technical Dept after client's signing.
- The dimension unit is mm but maybe some dimension will be changed without pre-notice any more.

Specification (Single outdoor 1560)		
Model No.	XDW-1000	
Speed	0.5M/S	
Rise	H=≤12000mm	
Angle	30°	
Reaction Force R1	KN	
Reaction Force R2	KN	
Reaction Force R3	KN	
Motor Power	KW	
Power	Motive	3PH AC 380V 50HZ
	Lighting	1PH AC 220V 50HZ



Mozambique, Marginal Mall



Australia, ASDA Supermarket



Poland, SBA Furniture Mall



Sweden, Kungsträdgården Railway Station

