

**TOUCH FREE ELEVATOR BUTTON**

**TF-LB38R/TF-LB38S**

**Product Description**

- Aluminum Alloy Material, Strong and Stable
- Intelligent Circuit Control
- Induction LED
- Circular Arc Corner Design

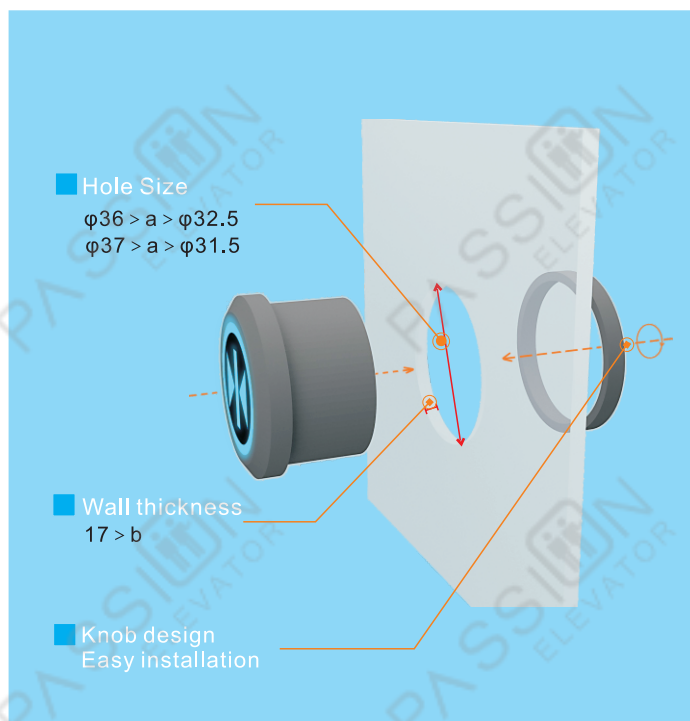
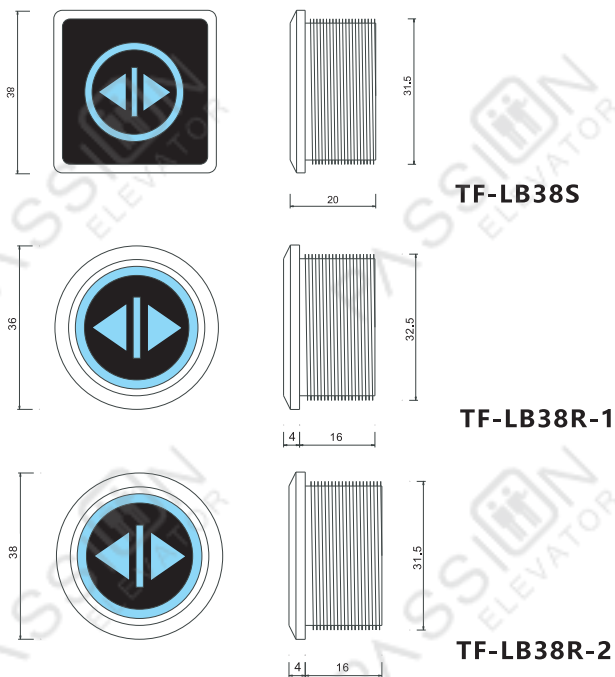
**Use Innovative Light Sensing Technology**

Use innovative light sensing technology. Say goodbye to contact . Prevent cross-propagation of bacteria. Using light-sensitive modulation and demodulation. No interference and disturbed signals, Non-contact induction by hand (or reflective object).

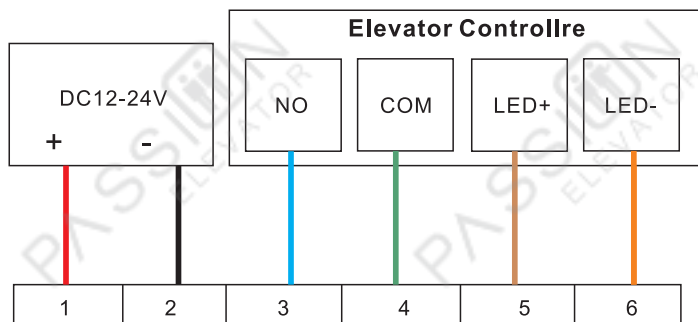
**Sensing distance:**  
The distance between the finger and the button can be sensed within 2-4 cm, the blue light will be illuminated immediately after the induction is successful, indicating that the elevator is waiting.



**Dimensions**



**Wiring Diagram & Paramter**



- Working Voltage: DC12-24V
- Standby Current: Around 15mA
- Working Current: Around 15mA
- Principle: Light reflection
- Output Terminals: NO,COM
- Plate Material: Fire Proof PC
- Durability: 1Million Times Testing
- Usage: Most of the Elevator
- Working Temperature: -20°C to +50°C
- Working Humidity: 0-90%
- Standby Color: No Light;
- Activate Color: Blue or Red

**WIDELY USED**

